

# DOT LED SERIES

## Installation Instructions



### What You Need:

Appropriate Fasteners  
Wire Connectors  
Level



Always turn off the power prior to installation.



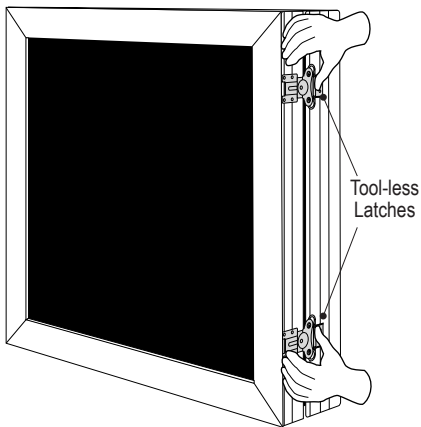
Be sure any metal debris cleared out of the cabinet.

### Low Voltage ONLY!

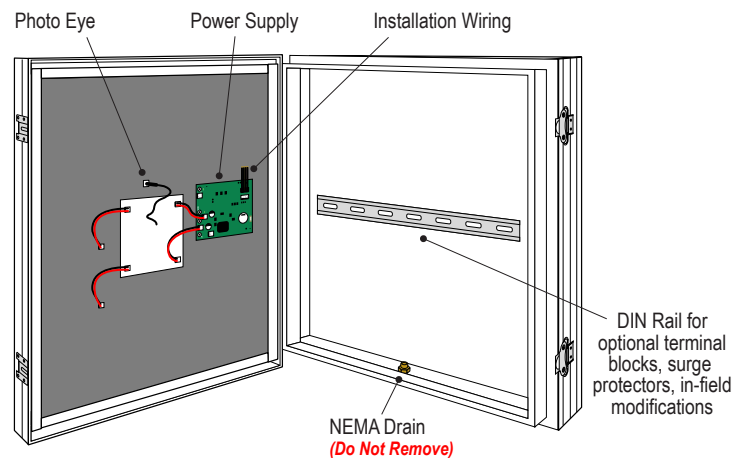
This sign operates within an input range of 9VDC to 24VDC.

## Installation Steps

1. Cabinet is opened using the tool-less latches located on the side. Your sign may have a hood, opening the cabinet is the same as above.

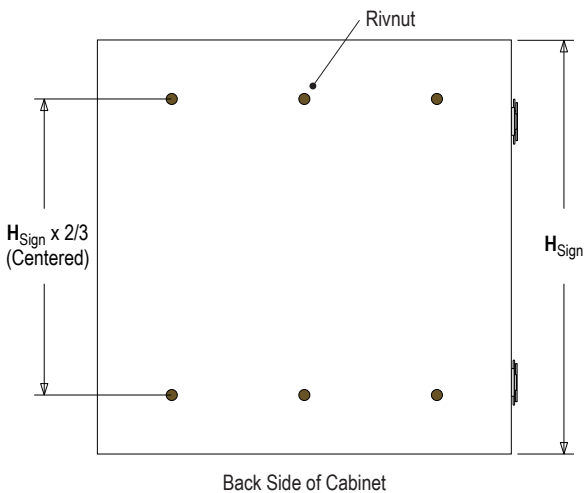


2. By default, the sign's connection points are located on the back of the display board (see *wiring guidelines on the next page*). A strip of DIN Rail extrusion is welded to the inside of the cabinet, where other input devices (terminal blocks, surge protectors, relays etc.) may be installed.



3. Standard mounting consists of two horizontal rows of M8x1.25 sealed Rivnuts; rows are centered and spaced apart  $2/3$ x the sign's height. (Note: Spacing, quantity and number of rows may vary)

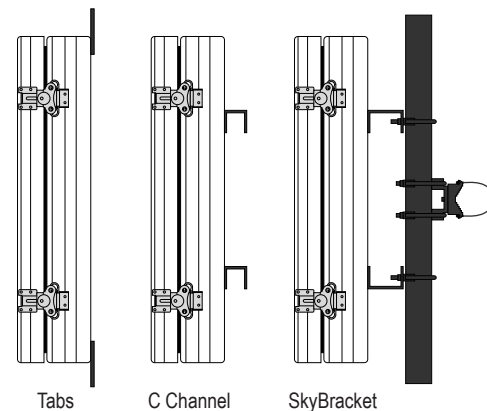
Different fastener hardware may be require depending on the thickness of the mounting surface.



Be sure any metal debris cleared out of the cabinet.

You may have different provisions than whats shown below. Please see any specific documentation included with the mounting assembly.

Any holes made into the cabinet for mounting or wiring must be sealed and have any chips or debris cleaned out.

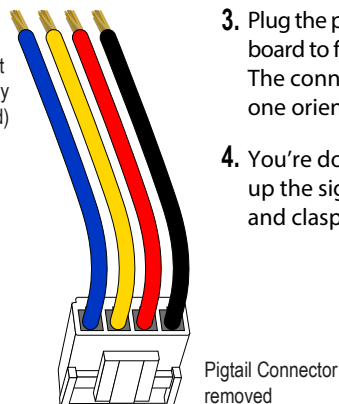
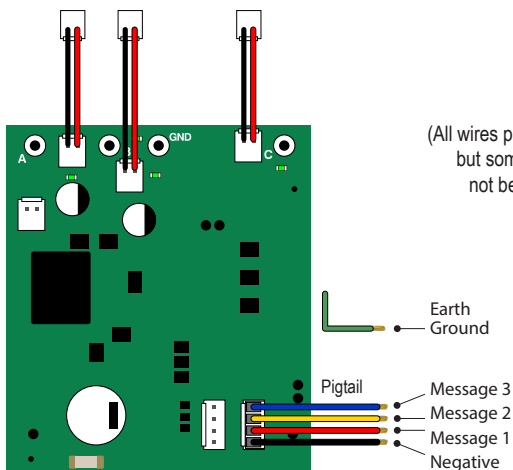


4. Make your electrical wiring connections. (see *wiring guidelines on the next page*).

## Making your Wiring Connections

**Note:** Your sign may have optional DIN Rail-mounted inputs, like lever-actuated terminals and/or surge protectors. Refer to the sign's wiring label (sample below) to connect to the appropriate terminals.

1. To make your electrical connections easier, gently unplug the supplied wired pigtail connector from the power supply.



2. By default, one 18 AWG stripped-end wire is provided for each message (plus a common Negative and a 16 AWG Earth Ground).  
*(See below for standard wiring guidelines)*
3. Plug the pigtail connector back into the power supply board to finish off the electrical part of your installation. The connector is "keyed" and can only be installed in one orientation
4. You're done with the electrical! Time to close up the sign by pushing the cabinet door closed and clasp the latches closed.

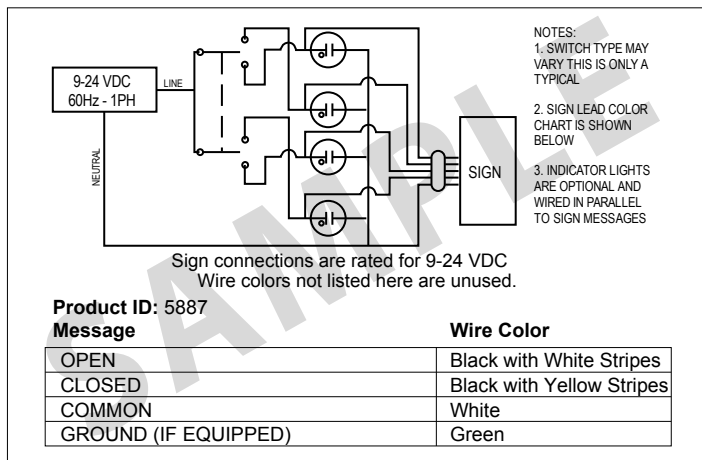


**Note:** Make appropriate wiring connections per local code.

**Low Voltage ONLY!**

## Sample Wiring Label

Wiring Label Sample for a typical 2 Message OPEN | CLOSED Sign



## General Wiring Guidelines\*

Number of Messages	Typical Wire (Lead) Colors
Message 1	Red
Message 2	Yellow
Message 3	Blue
Message 4	Gray
Message 5	Orange
Message 6	Purple
Message 7	Brown
Message 8	Black with White Stripes
Message 9	Black with Yellow Stripes



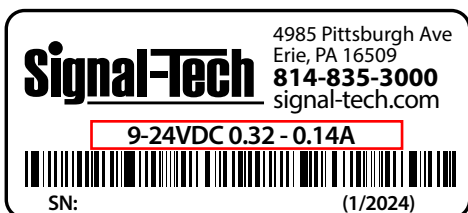
\*Common is solid Black and Ground (if equipped) is solid Green.



**Note:** Refer to the wiring label inside the sign for the specific instructions on wiring your sign. Some wires may not be used.

## Power Requirements

Refer to the product's spec sheet. **OR**  
Power requirements can be found on the serial number sticker outside the sign.



**Note:** Amp values are given as a range based on the input voltage range.



**Note:** Make appropriate wiring connections per local code.

**Note:** Any holes drilled into sign cabinet **MUST** be sealed. Failure to do so may cause a short and void warranty.

**Note:** This sign is intended to be installed in accordance with the requirements of Article 600 of the National Electric Code and/or other applicable local codes. This includes proper grounding and bonding of the sign.

**Note:** This unit contains a built-in CLASS 2 LED driver.

**WARNING** - Risk of Fire or Electric Shock. Do Not interconnect output terminations.

**AVERTISSEMENT** - Risque d'incendie ou de choc électrique. Ne pas interconnecter les terminaisons de sortie.