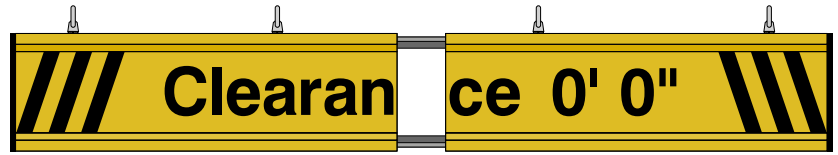


# I-Bar Clearance Bar SERIES with Joiner Extrusion

## Installation Instructions

### In the Box

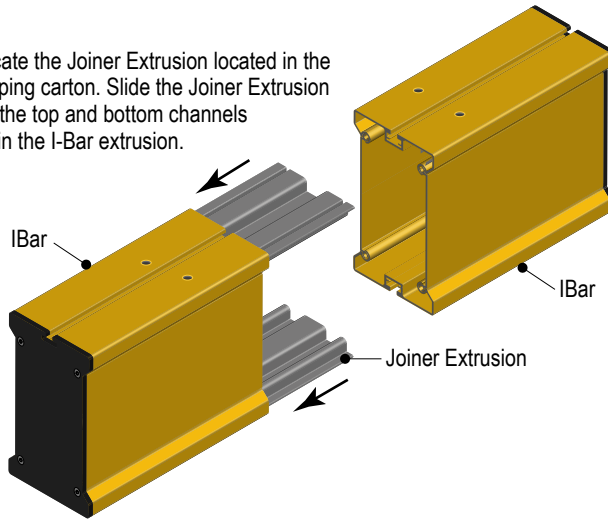
- I-Bar Clearance Bars
- (2) EasyGlide Eyebolt Assemblies for each section.
- (2) End Caps (Pre-installed)
- (8) Phillips Head End Cap Screws (Pre-installed)
- Joiner Extrusions
- Allen Head Screws (Quantity based on number of sections.)



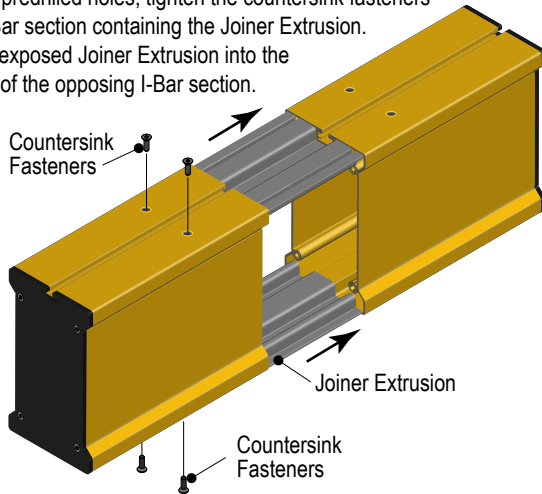
Front View

### Installation Steps

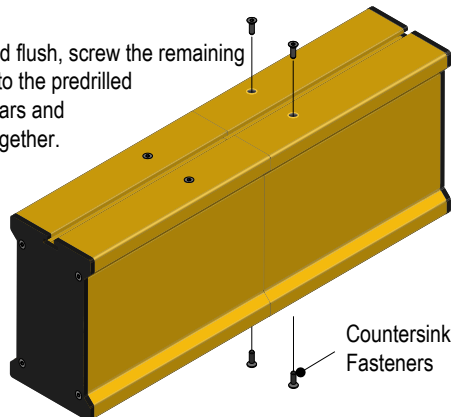
1. Locate the Joiner Extrusion located in the shipping carton. Slide the Joiner Extrusion into the top and bottom channels within the I-Bar extrusion.



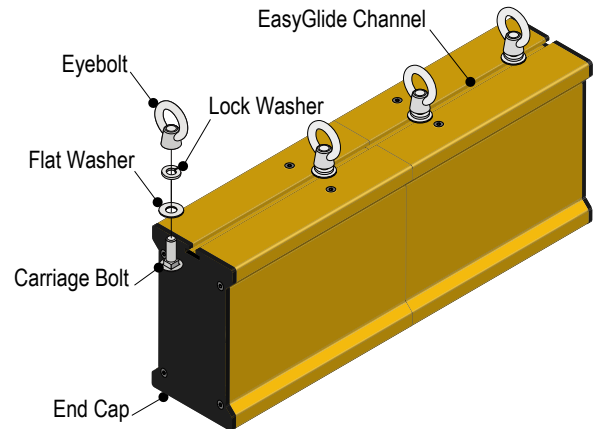
2. Using the predrilled holes, tighten the countersink fasteners on the I-Bar section containing the Joiner Extrusion. Slide the exposed Joiner Extrusion into the channels of the opposing I-Bar section.



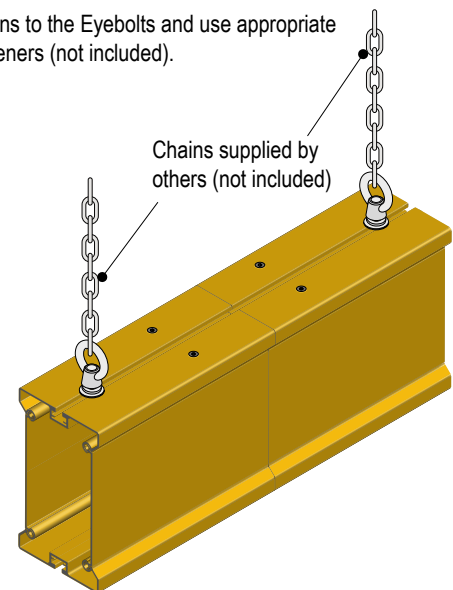
3. With the I-Bars joined flush, screw the remaining four (4) fasteners into the predrilled holes to lock the I-Bars and Joiner Extrusions together.



4. Slide the included eyebolts into the EasyGlide channel until there are two (2) eyebolts per section then tighten.



5. Attach chains to the Eyebolts and use appropriate ceiling fasteners (not included).

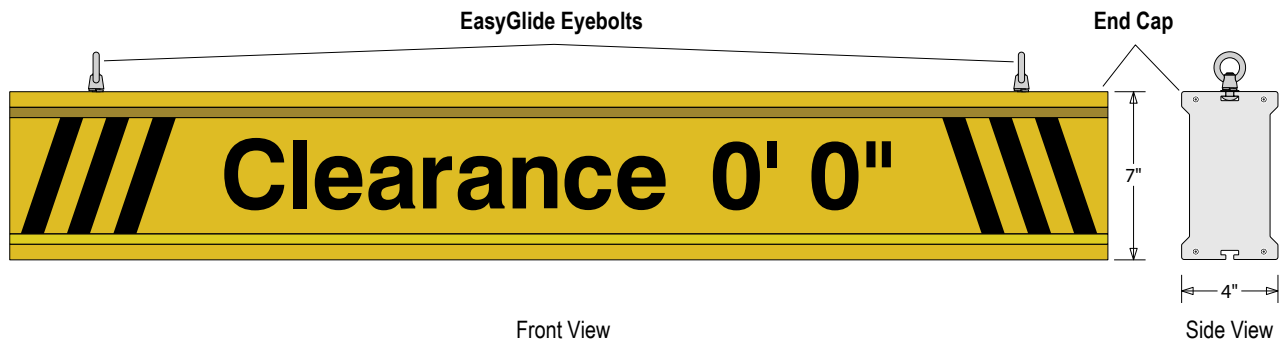
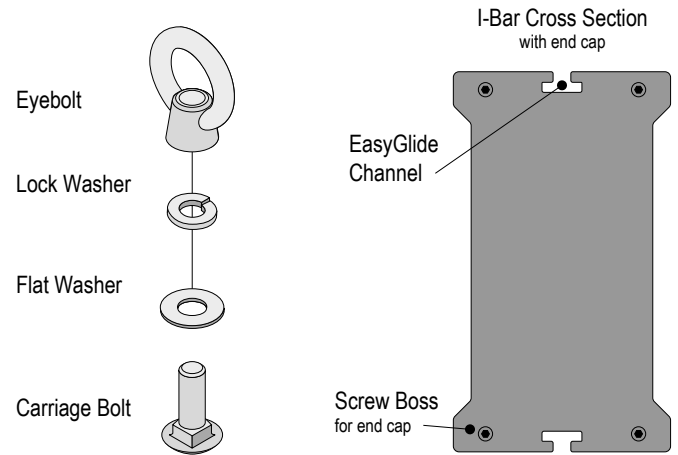


# I-Bar Clearance Bar SERIES

## Installation Instructions

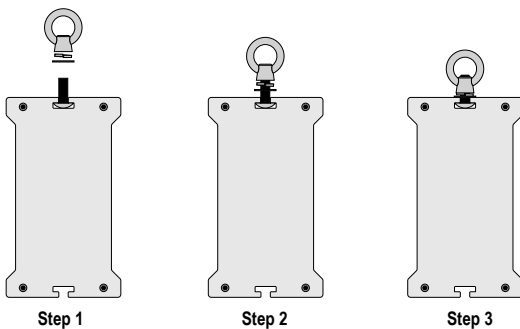
### In the Box

- I-Bar Clearance Bar Sign
- (2) EasyGlide Eyebolt Assemblies for each section
- (2) End Caps (Pre-installed at Factory)
- (8) Phillips Head End Cap Screws (Pre-installed at Factory)



### Eyebolt Assembly & Mounting

#### Initial Assembly



- Locate parts bag inside packaging box
- Step 1** • Place Carriage Bolt into EasyGlide Channel
- Step 2** • Loosely assemble eyebolt so it can still slide in channel
- Step 3** • Tighten the first eyebolt in the desired location by turning eyebolt
- Measure distance from the end of sign to the first eyebolt
  - Repeat with the second eyebolt, measuring to match the first
  - Attach chains to appropriate ceiling fasteners (not included)

