

# LSi SERIES

## Outdoor LED Backlit Monument Sign Installation Instructions



### What You Need:

Phillips Head Screw Driver  
Control Switch (*ordered separately*)



Always turn off the power prior to installation.



Be sure any metal debris cleared out of the cabinet.

### Voltage

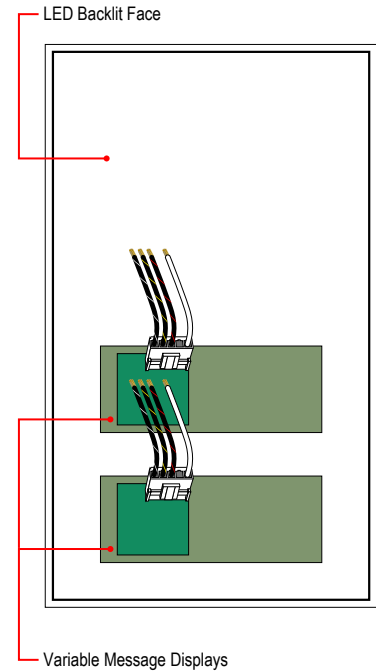
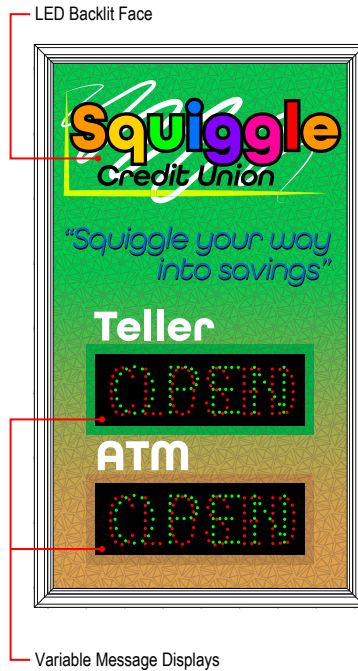
This sign operates within an input range of 120VAC to 277VAC.

## Power & Communications

1. With the sign mounted, open sign cabinet by removing the 2 (two) screws located on the bottom of the front panel.

2. With the front hinged panel supported open locate the variable message displays. Each display will have its own wiring.

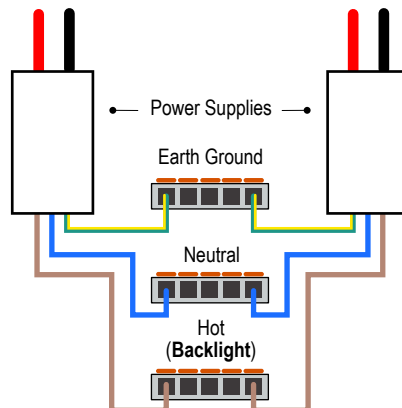
3. Reattach the cabinet to the brackets with the hardware provided.



Reverse side of the face showing

## Backlit Panel Wiring Connections

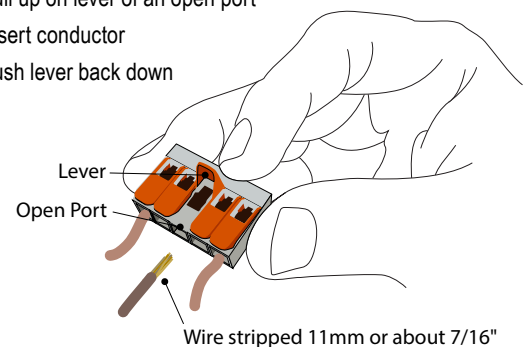
1. Turn off incoming power prior to starting installation.
2. All terminations should be made using the provided 5-conductor lever-nuts. (No additional wire nuts required.)
3. A single Hot input is provided for the backlighting
4. Brown Wires: Hot/ACL
5. Blue Wires: Neutral/ACN (may be combined with white wire from variable message inserts)
6. Green/Yellow Wires: Earth Ground (sign cabinet and power supply grounds combined)



## Lever-nut Instructions

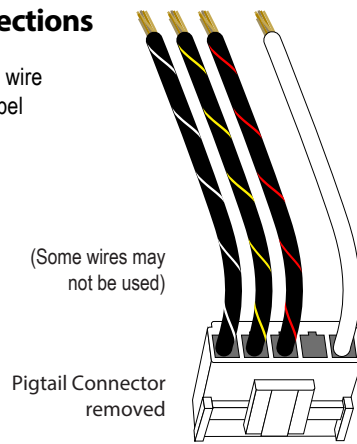
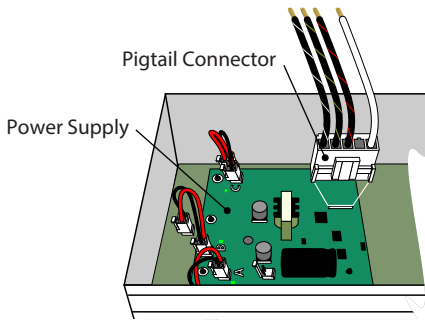
1. Strip the ends of your input wire to 11mm, using the guide on the side of one of the lever-nuts.
2. To make a connection, use the wiring scheme pictured to find the correct lever-nut.

- a. Pull up on lever of an open port
- b. Insert conductor
- c. Push lever back down

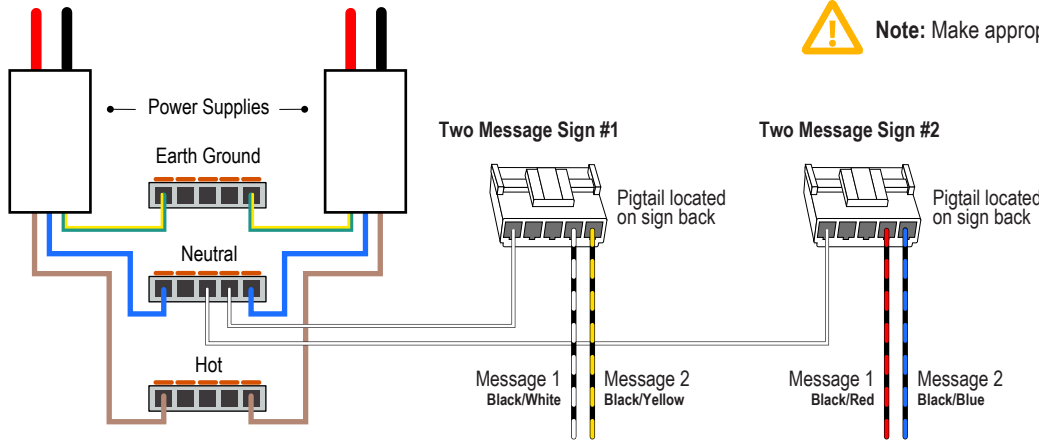


## Variable Message Insert Wiring Connections

- Each variable message insert will have a stripped-end wire for each message. Be sure to reference the Wiring Label on the back of each display panel.  
(See *General Wiring Guidelines* below)



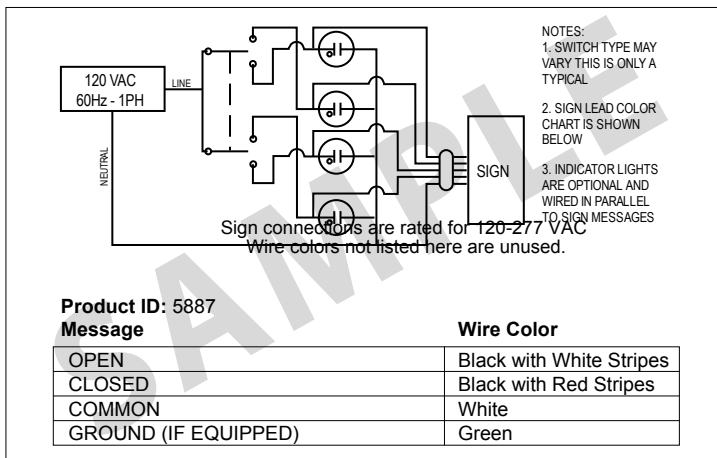
- A common neutral is pre-wired; terminate neutral using the lever-nut referenced in the Backlit panel Wiring Instructions.
- To make your electrical connections easier, gently unplug the supplied wired pigtail connector from the power supply.
- With your incoming power already running through the mounted back you can easily make all connections to the pigtail using wire connectors.  
(See *table below for General Wiring Guidelines*)
- Plug the pigtail connector back into the power supply to finish off the electrical part of your installation. The connector is "keyed" and can only be installed in one orientation
- You're done with the electrical! Time to close up the sign by pushing the cabinet closed and replacing the two screws you removed from the bottom of the cabinet.



**Note:** Make appropriate wiring connections per local code.

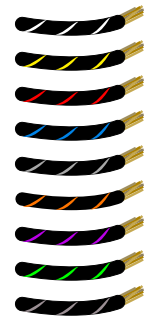
## Sample Wiring Label

Wiring Label Sample for a typical 2 Message OPEN | CLOSED Sign



## General Wiring Guidelines\*

Typical Wire (Lead) Colors
Black with White Stripes
Black with Yellow Stripes
Black with Red Stripes
Black with Blue Stripes
Black with Gray Stripes
Black with Orange Stripes
Black with Purple Stripes
Black with Green Stripes
Black with Brown Stripes



\*Neutral is solid White and Ground (if equipped) is solid Green.



**Note:** Refer to the wiring label inside the sign for the specific instructions on wiring your sign. Some wires may not be used.



### Warning Statements

**Note:** Make appropriate wiring connections per local code.

**Note:** Any holes drilled into sign cabinet **MUST** be sealed. Failure to do so may cause a short and void warranty.

**Note:** This unit contains a built-in CLASS 2 LED driver.

**Note:** This sign is intended to be installed in accordance with the requirements of Article 600 of the National Electric Code and/or other applicable local codes. This includes proper grounding and bonding of the sign.



**WARNING:** Risk of Fire or Electric Shock. Do Not interconnect output terminations.

**AVERTISSEMENT:** Risque d'incendie ou de choc électrique. Ne pas interconnecter les terminaisons de sortie.