

PRODUCT ID: 28590

Post

MODEL

P4X4D120B

DIMENSIONS

120" H x 12" W x 12" D (est. 69.872 lbs)

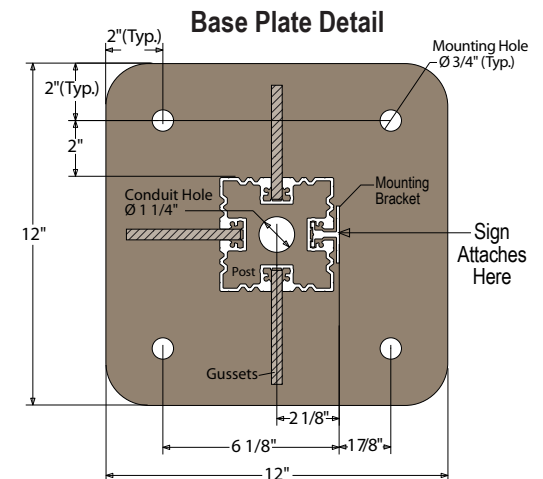
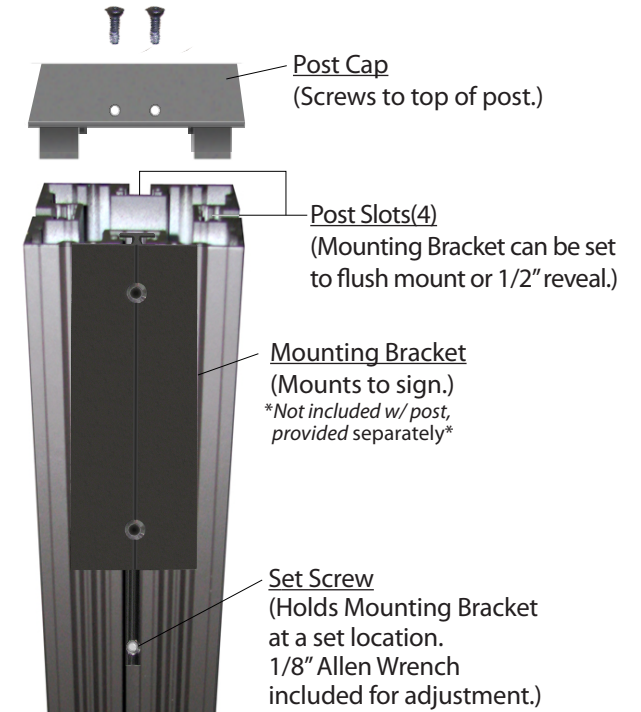
CONSTRUCTION

Finish: Duranodic Bronze

Material: 4" x 4" fluted extruded aluminum post (6063-T6) with a sign mounting channel on each side, one end cap and 12" sq. welded base plate. Base plate is a 3/8" thick aluminum plate with pre-drilled anchoring holes and 4-4" high welded gussets.

Product View

NOTE: Sign image may not exactly represent the finished product. For illustration purposes only.



Signal-Tech
4985 Pittsburgh Ave.
Erie, PA 16509
Phone: (877) 547-9900
Fax: (814) 835-2300
Email: sales@signal-tech.com
Website: www.signal-tech.com

Signal-Tech