

# PRODUCT ID: 60627

Alarm Unit

## MODEL

PA-CVE-LV

## DIMENSIONS

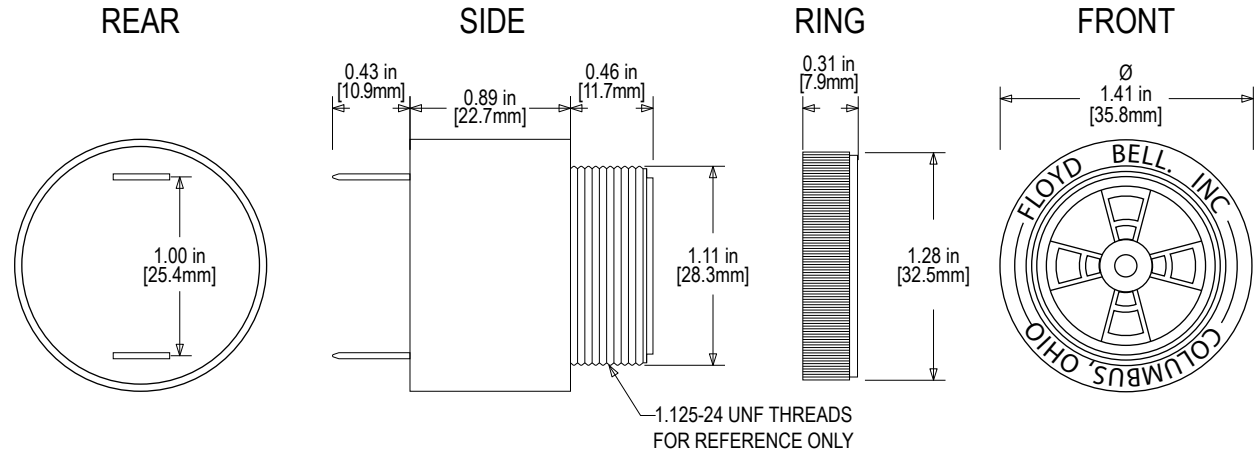
0" H x 0" W x 0" D (est. 0.05 lbs)

## ELECTRICAL

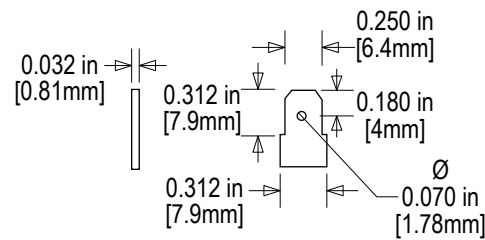
Input Voltage: 120 VAC

# Product View

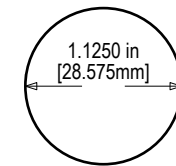
NOTE: Sign image may not exactly represent the finished product. For illustration purposes only.



## "Q" TERMINALS



## PANEL MOUNTING



FITS PANELS UP TO 0.25in [6.35mm] THICK

Signal-Tech  
4985 Pittsburgh Ave.  
Erie, PA 16509  
Phone: (877) 547-9900  
Fax: (814) 835-2300  
Email: sales@signal-tech.com  
Website: www.signal-tech.com



TOLERANCES ARE  $\pm 0.03$ in [ $\pm 0.76$ mm] UNLESS OTHERWISE SPECIFIED