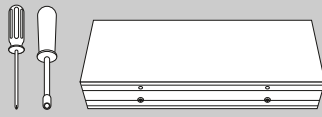


Mounting Installation Instructions

What You Need:

Philips head screw driver or Philips head bit
 Driver for fasteners
 Fasteners to attach mounting to wall surface
(fasteners not supplied)



Always turn off the power to the sign prior to opening the cabinet. Disconnect the power wires going to the sign.

Note: Clear all metal chips created by drilling into sign cabinet.

Note: Do not over-tighten fasteners or distort back panel.

Note: Make appropriate wiring connections per local codes.

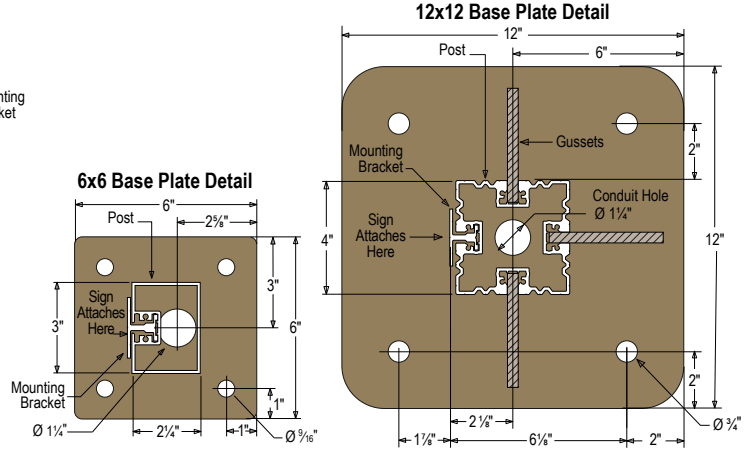
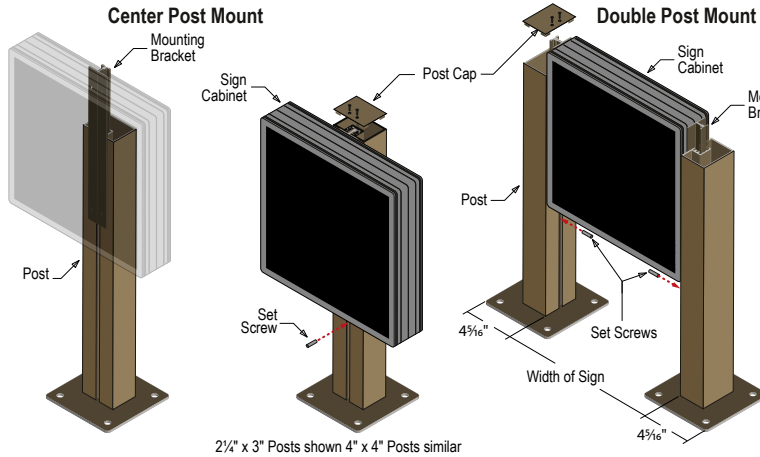
Center/Double Post Mount

Step 1. Bolt baseplate(s) to pad or bury post(s) as appropriate for location.

Step 2. Slide sign mounting bracket into post channel(s).

Step 3. Align the cabinet flush with top of the post(s).

Step 4. Tighten the set screw in the mounting bracket(s) and fasten the post cap(s) on the post(s).



Side/Ceiling Mount for 2 1/4\" & 2 1/2\" d Frames

Step 1. Open sign by removing the screws on bottom of cabinet. Remove the back panel.

Step 2. Knock out appropriate mounting holes in the back panel. Align back panel mounting holes with long side of brackets and screw in place. *(fasteners provided)*

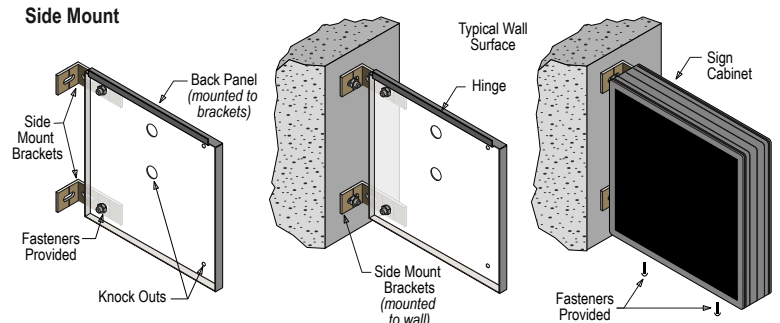
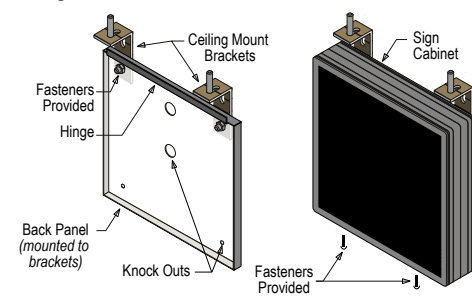
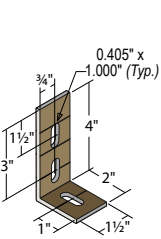
Step 3. Mount the shorter side of the brackets to the wall or ceiling surface. *(fasteners not supplied)*

Step 4. Hinge sign on to back panel, close cabinet and replace the screws that were removed in the first step.

For 2 1/4\" & 2 1/2\" d Frames

Ceiling Mount

Side Mount



Variable Angle Mount

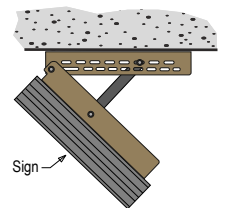
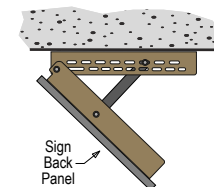
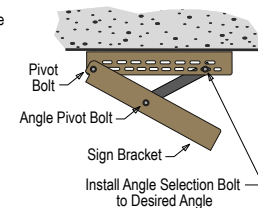
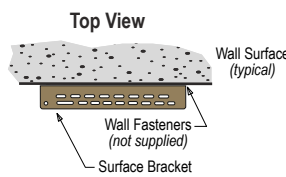
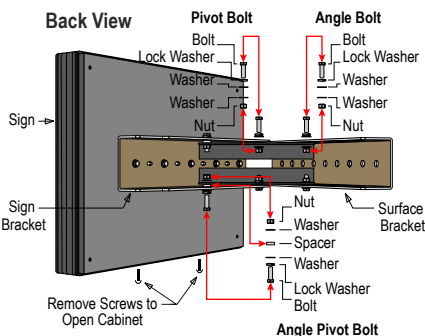
Step 1. Open sign by removing the screws on the bottom of the cabinet.

Step 2. Mount the surface bracket to the desired wall, roof or ceiling. *(fasteners not supplied)*

Step 3. Install the sign bracket to the surface bracket using the hardware supplied.

Step 4. Mount back panel to sign bracket.

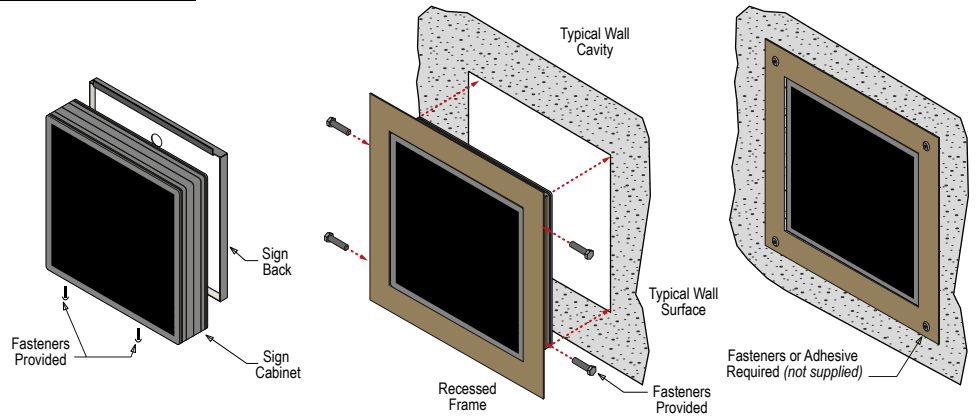
Step 5. Hinge sign on back panel and replace the screws that were removed in the first step.



Larger signs will require more than one variable angle mount

Recessed Frame Mount

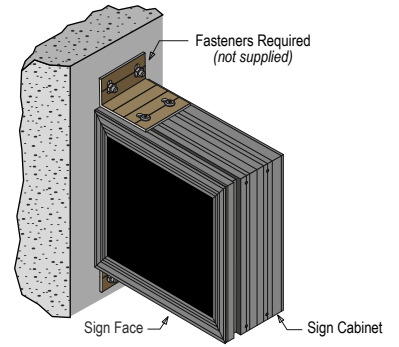
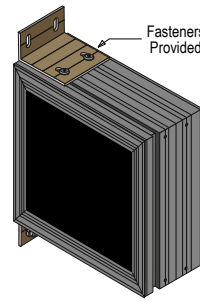
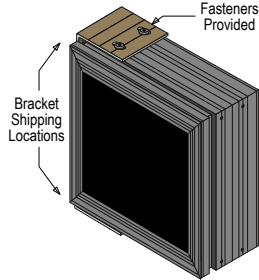
- Step 1.** Open sign by removing the screws on bottom lip of cabinet.
- Step 2.** Slide the Recessed Frame over the cabinet flush with the sign face. Drill into the cabinet using the holes in the Recessed Frame. Fasten frame to cabinet sides.
- Step 3.** Clear all aluminum chips from inside cabinet after drilling. Close cabinet and replace removed screws. Slide cabinet with frame into wall cavity.
- Step 4.** Secure frame and cabinet in wall cavity using appropriate fastening hardware or silicone adhesive between the frame and substrate.



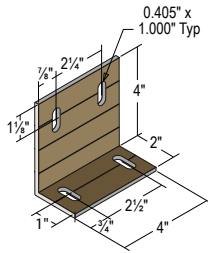
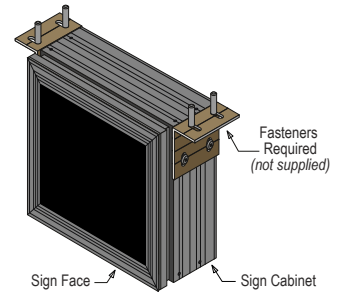
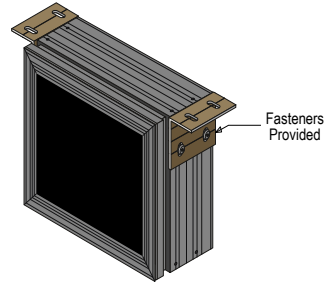
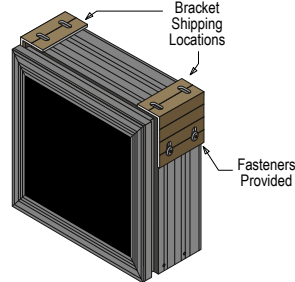
Side/Ceiling Mount for 5½" & 7½" d Frames

- Step 1.** Remove the mounting brackets from their shipping location on the sign cabinet.
- Step 2.** Align the long side of the brackets to the predrilled holes in the frame and secure with the hardware provided. *(fasteners provided)*
- Step 3.** Mount the shorter side of the brackets to the wall or ceiling surface. *(fasteners not supplied)*

Side Mount



Ceiling Mount



Wall Mount for 5½" d Frames

- Step 1.** Remove the mounting brackets from their shipping location on the sign cabinet.
- Step 2.** Align and mount the brackets to the wall surface. *(fasteners not supplied)*
- Step 3.** Reattach the cabinet to the brackets with the hardware provided. *(fasteners provided)*

