

RGB Rebel SERIES

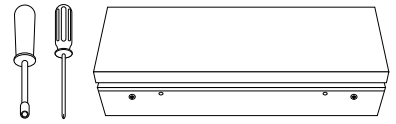
Indoor / Covered Outdoor RGB Sign Install Instructions

Voltage

This sign operates within an input range of 100VAC to 240VAC.

What You Need:

Phillips Head Screw Driver
5/16" Nut Driver
Appropriate Wall Fasteners
Pencil
Level



Always turn off the power prior to installation.

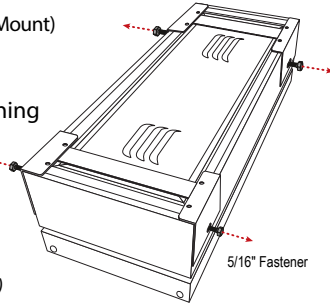


Be sure any metal debris cleared out of the cabinet.

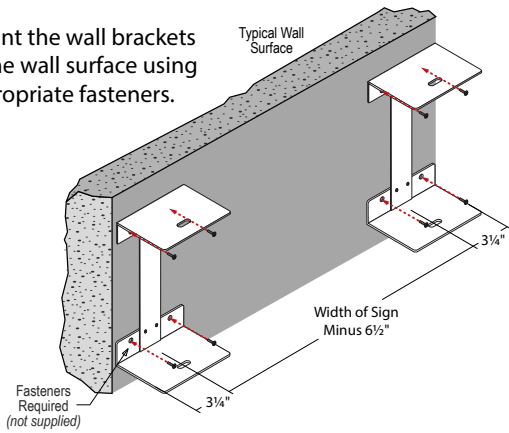
Installation Steps (Wall Mount)

- Using a 5/16" nut driver, remove the four bolts retaining the wall mount brackets on the cabinet.

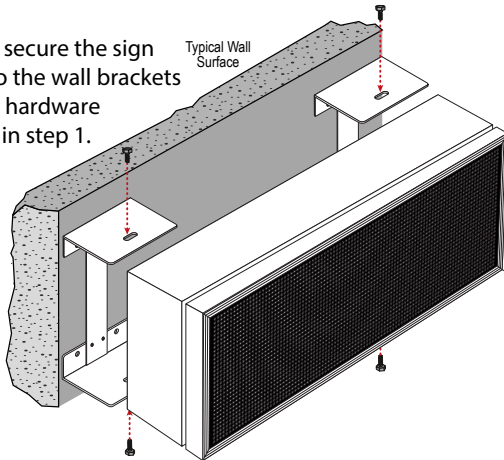
(for mounting other than Wall Mount see the individual Mounting Installation Instructions)



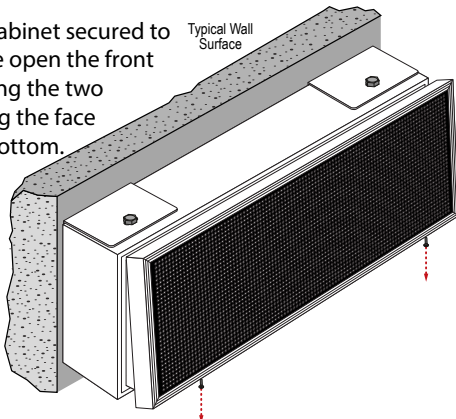
- Mount the wall brackets to the wall surface using appropriate fasteners.



- Slide and secure the sign cabinet to the wall brackets using the hardware removed in step 1.



- With the sign cabinet secured to the wall surface open the front face by removing the two screws retaining the face found on the bottom.



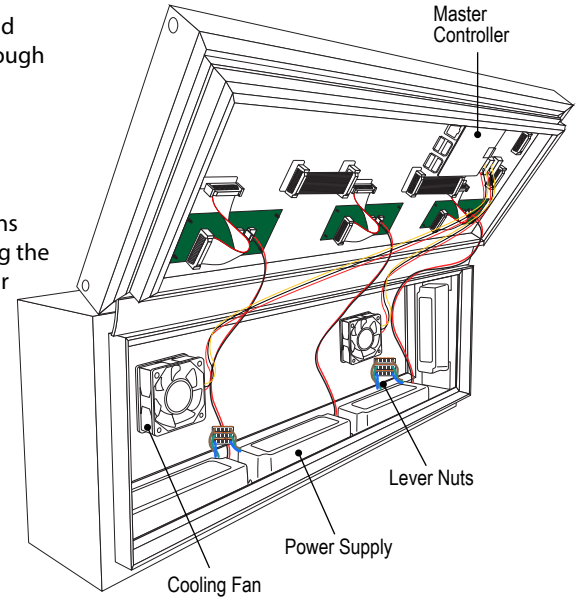
Making your Power Connections

- Bring input power and communications through separate conduit. Weather-proof all connections made through the cabinet.

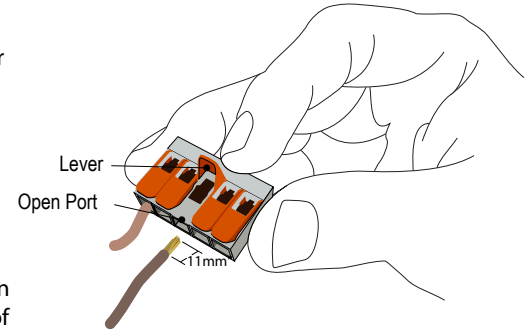
All power terminations should be made using the provided 5-conductor lever-nuts. (No additional wire nuts required).



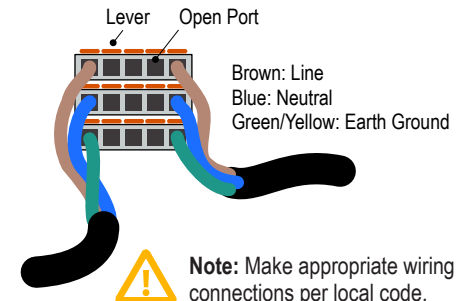
Be sure any metal debris cleared out of the cabinet.



- Strip the ends of your input wires to 11mm using the guide on the side of one of the lever-nuts.



- To make a connection pull up on the lever of an open port insert wire conductor and push lever back down to lock wire in place.



- You're done with the electrical! Time to move on to the communications connections.



Note: Make appropriate wiring connections per local code.

Power Wiring Guidelines

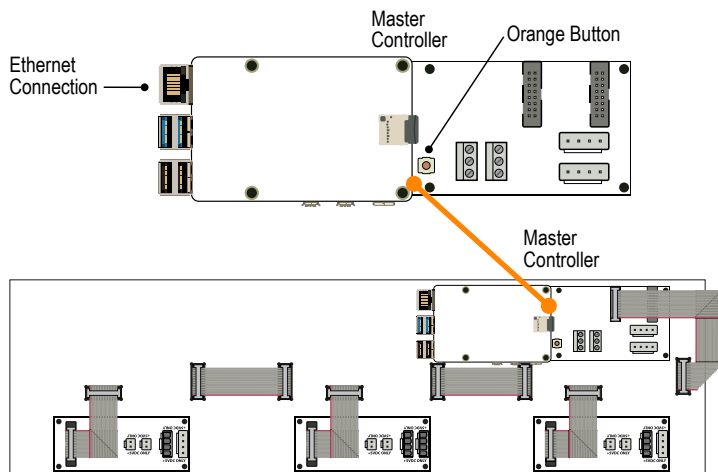
Number of Messages	Typical Wire (Lead) Colors
Line	Brown
Neutral	Blue
Earth Ground	Green



Making your Communications Connection

Instructions:

1. With the sign disconnected from power, make the Ethernet connection at the **master controller**



2. Choose your connection method; DHCP or Configurable Static IP

To connect using DHCP:

Power on the sign; after 10-15 seconds it will make a request for an IP address from the server

Default DHCP hostname: **signaltech**

MAC address is provided on a sticker on the side of the sign

Using the included Smart Sign Install Log is recommended for keeping track of your devices

Assign the sign a DHCP reservation

Network Requirements :

Connection Type: Wired Ethernet (CAT5/CAT6)

Network Configuration Options: DHCP (Default) or Configurable Static IP (see step 2 instructions below)

Default Static IP: 192.168.101.45

Primary Communications Port : 10001

Web Interface Port : 80

To connect using a Configurable Static IP address:

Power on the sign and wait for the display to blank out (about 10-15 seconds)

Find the small orange button on the **master controller**

Press and hold the small orange button (about 5 seconds)

The sign display should then show **STATIC**, indicating that the sign has been switched to Static IP Mode

Go to 192.168.101.45 in a web browser

Default username/password are **blank**

Configure your device with desired network settings

It is highly recommended to set a device username and password

Sign Control:

3. Choose your control method; Signal-Tech Sign Control Software or Third-party Control Software

If using Signal-Tech's Sign Control Software:

Add the sign into the software using its assigned IP address (refer to software manual override in the software)

Note: Sign will not illuminate until it is assigned a schedule or manual override in the software

If using a third-party control software:

Refer to the system's documentation or contact a representative of the system/software you are using

Refer to our API documentation for interfacing directly with the sign
Contact a Signal-Tech representative for information on how to use your sign with a 3rd party system



Warning Statements

Note: Make appropriate wiring connections per local code.

Note: Any holes drilled into sign cabinet **MUST** be sealed. Failure to do so may cause a short and void warranty.

Note: This unit contains a built-in CLASS 2 LED driver.

Note: This sign is intended to be installed in accordance with the requirements of Article 600 of the National Electric Code and/or other applicable local codes. This includes proper grounding and bonding of the sign.



WARNING: Risk of Fire or Electric Shock. Do Not interconnect output terminations.

AVERTISSEMENT: Risque d'incendie ou de choc électrique. Ne pas interconnecter les terminaisons de sortie.