

# PRODUCT ID: 58035

Alarm Unit

## MODEL

PA-DATC-LV

## DIMENSIONS

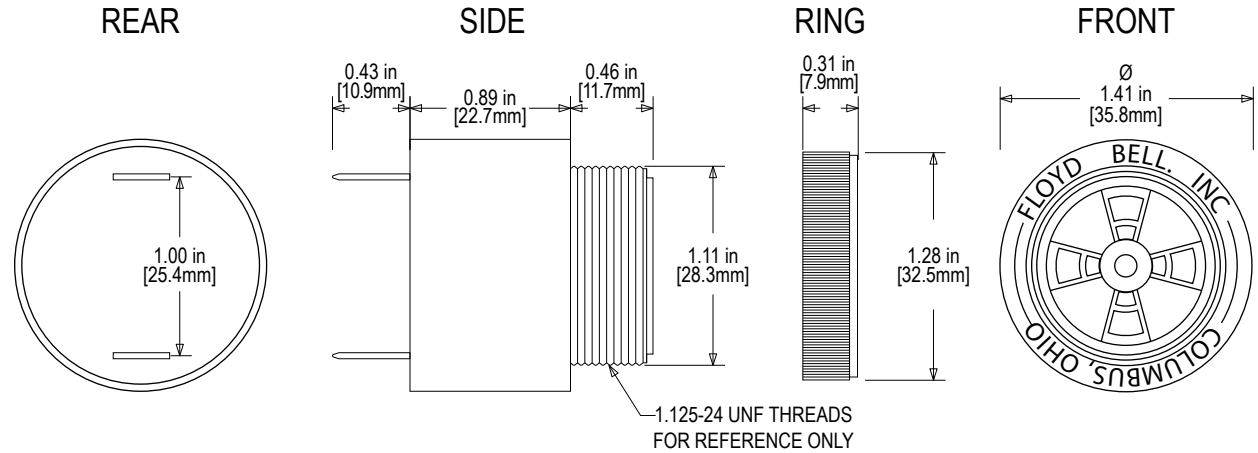
1.41" H x 1.41" W x 1.7" D (est. 0.05 lbs)

## ELECTRICAL

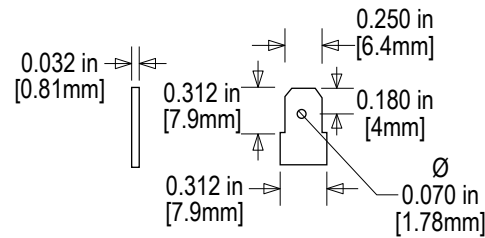
Input Voltage:

# Product View

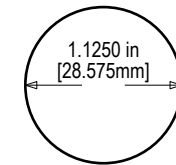
NOTE: Sign image may not exactly represent the finished product. For illustration purposes only.



## "Q" TERMINALS



## PANEL MOUNTING



FITS PANELS UP TO 0.25in [6.35mm] THICK

Signal-Tech  
4985 Pittsburgh Ave.  
Erie, PA 16509  
Phone: (877) 547-9900  
Fax: (814) 835-2300  
Email: sales@signal-tech.com  
Website: www.signal-tech.com



TOLERANCES ARE ±0.03in [±0.76mm] UNLESS OTHERWISE SPECIFIED