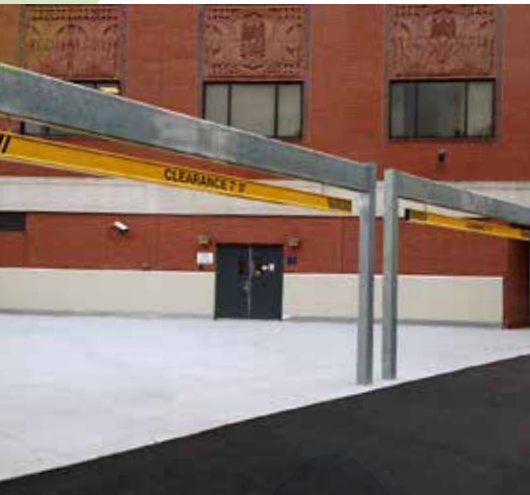




When you think signs, think **Signal-Tech!**



I-Bar Series **Clearance Bars**

Signal-Tech
LED Directional Signs & Signals

I-Bar Series Non-illuminated Clearance Bar

The I-Bar Series low-height clearance bars are now available in your choice of either Modular or Continuous.

Modular I-Bars are created from segments that connect together and can make a long I-Bar that is cheaper to ship.

Continuous I-Bars are a single piece of extrusion.

Both can be ordered at any length that is needed, up to 240" for Continuous I-Bars, longer bars can be created using Modular I-Bars for your specific application. They are both made from heavy-gauge, extruded aluminum and measure 7" tall by 2.5" deep, and are shipped ready to install. Each bar is installed by hanging it from the included adjustable, heavy-duty eyebolts. The standard finish is traffic yellow; custom messages and finishes are available as requested.

did you know...?

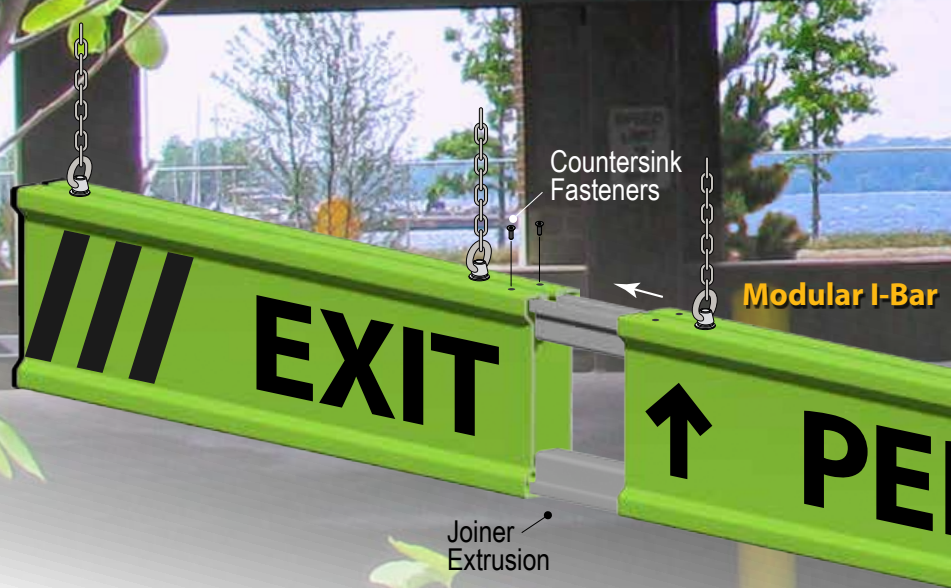
Modularity for Shipping

Modular I-Bars allow us to ship a long I-Bar in segments. Shipping in multiple segments gives us the freedom to manufacture the I-Bar in any length desired, but most importantly it reduces the shipping costs, allows for easier handling, and eliminates the need to ship freight. For Modular clearance bars 2 or more segments will be sent along with a joiner piece to connect them. Clearance bars with more than 2 segments will always be seamed and *each segment requires 2 eyebolts for proper installation.*

...three become one!



Continuous I-Bar



Modular I-Bar

Signal-Tech

Custom messages, lengths

877-547-9900

Benefits of the I-Bar Series Clearance Bar

Be proactive & informative!



Durable

Constructed from extruded aluminum

Customizable

Select any message, paint color or graphic

Ready to Install

No filling sand needed, eyebolt hardware included

Easy to Read

Reflective vinyl is visible day or night

Available in Any Length

Modular design makes shipping long lengths feasible. Continuous lengths up to 240" available

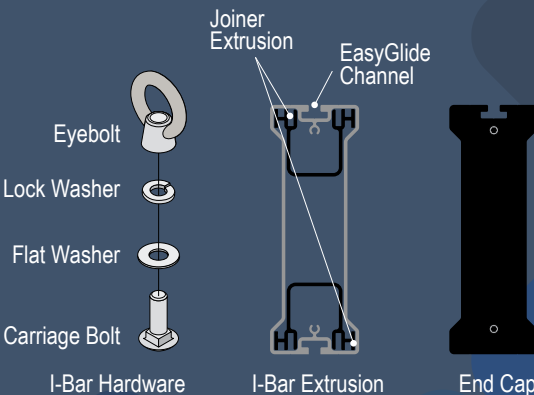
5-Year Warranty

The same industry leading warranty as our LED signs

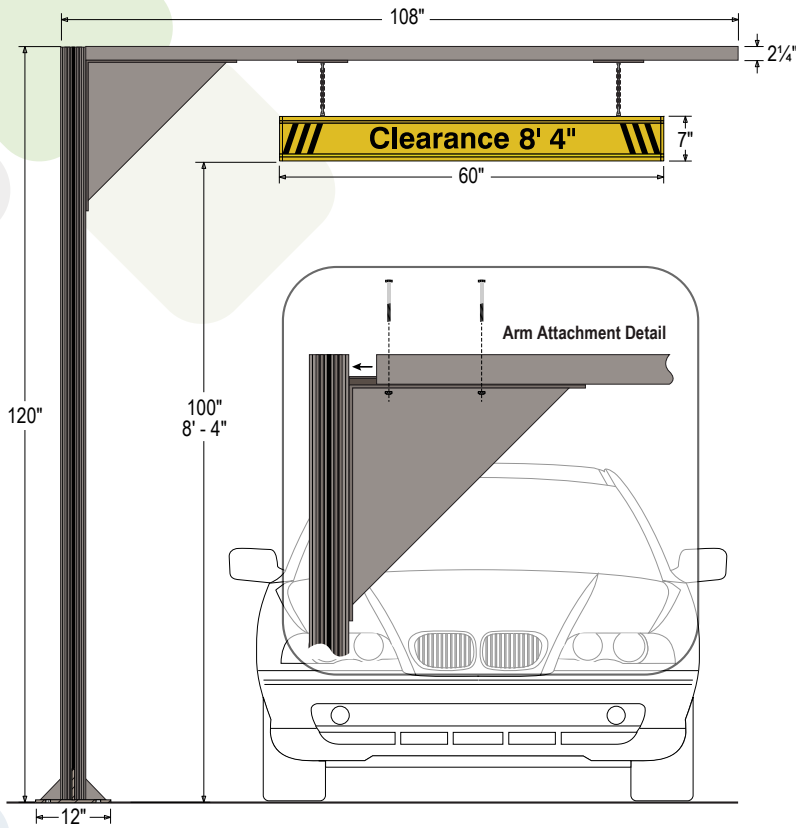
did you know...?

Hardware Included

Heavy-duty eyebolts and carriage bolts are supplied to evenly support the I-Bar across its length. **Two eyebolts are required for each modular section.** It is advisable to place the Carriage bolts on both sides of the split where the I-Bar sections meet. This gives the I-Bar the support needed to prevent possible sagging.



and paint colors available



I-Bar Mast Arm Post

Designed to free hang a Clearance I-Bar up to 6 feet wide. Constructed using two extruded aluminum posts that intersect at a 90° angle and are bolted together with a structural gusset. The vertical post includes a welded 12" x 12" base plate with gussets for mounting.

PRODUCT #21634

System Specifications

General Specifications

- 7" high x 2.5" deep Aluminum Extrusion
- Choice of Modular or Continuous designs
- Available in Continuous lengths up to 240"
- Heavy-duty eyebolts included for mounting
- High -performance reflective vinyl messages and symbols
- Ready to install - no sand or concrete to add and no vinyl to apply
- 5-Year Warranty

Custom Options

- Custom paint colors and matching
- Reflective vinyl message colors
- Double sided messages
- Custom long lengths available using Modular joiner extrusion making shipping feasible
- Mast Arm Post

Signal-Tech
LED Directional Signs & Signals

4985 Pittsburgh Avenue • Erie, Pennsylvania 16509
toll free: **877-547-9900** • fax: **814-835-2300**
email: sales@signal-tech.com

signal-tech.com

Copyright © 2025 Signal Technologies, Inc.