

DuraPanel DURA2424-C915

PRODUCT NUMBER

13078

DIMENSIONS

24" H x 24" W x 1.25" D

INSTALLATION METHOD

Flush mounted using concealed fasteners.
Use appropriate fasteners. Not included.

CONSTRUCTION

Extruded Aluminum with Corner Keys
Vandal Resistant Concealed Fasteners
0.050 Aluminum Message Panel

FINISH

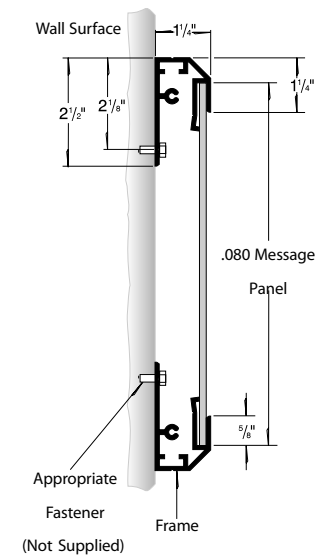
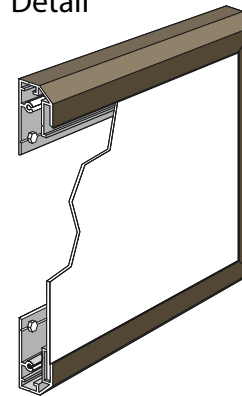
Cabinet painted Standard Duranodic Bronze. Custom colors available upon request.

Product View

NOTE: Sign image may not exactly represent the finished product. For illustration purposes only.



Detail



MESSAGE	COLOR	HEIGHT
P ALBANY PARKING AUTHORITY	Blue (PMS2738) Black 100% K, Grey 50% K, Gold (PMS124)	7" 3.5"

Signal-Tech
4985 Pittsburgh Ave.
Erie, PA 16509
Phone: (877) 547-9900
Fax: (814) 835-2300
Email: sales@signal-tech.com
Website: www.signal-tech.com



Proudly Made in the USA