

PRODUCT ID: 20594

Swivel Wall Mount Bracket

MODEL

SWM718

DIMENSIONS

7" H x 18" W x 3.5" D (est. 6 lbs)

CONSTRUCTION

Finish: Duranodic Bronze

Material: Formed 1/8" CNC routed aluminum. Holes for mounting sign pre-drilled.

NOTE: Other LED colors, voltages, cabinet sizes, styles, and colors available.

Signal-Tech
4985 Pittsburgh Ave.
Erie, PA 16509
Phone: (877) 547-9900
Fax: (814) 835-2300
Email: sales@signal-tech.com
Website: www.signal-tech.com

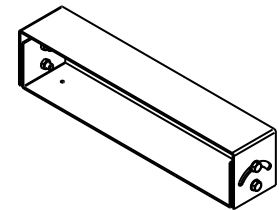
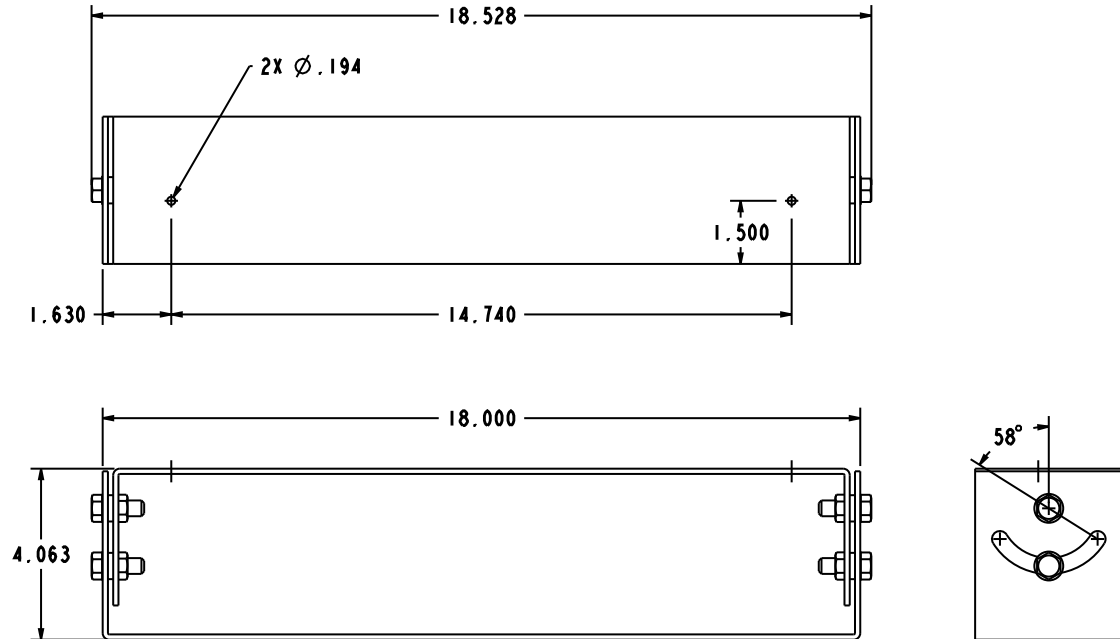
Signal-Tech

Proudly Made in the USA

Copyright (C) 2017 Signal-Tech

Product View

NOTE: Sign image may not exactly represent the finished product. For illustration purposes only.



REV 0 | 04202016 | KAM