

DuraPanel
DURA760-Clearance

PRODUCT NUMBER

21906

CABINET DIMENSIONS

7" H x 60" W x 1.25" D

CONSTRUCTION

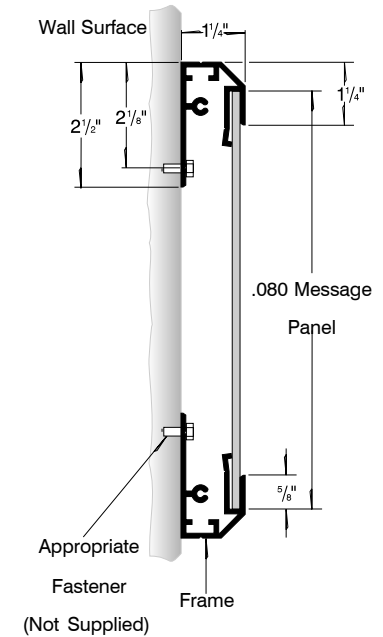
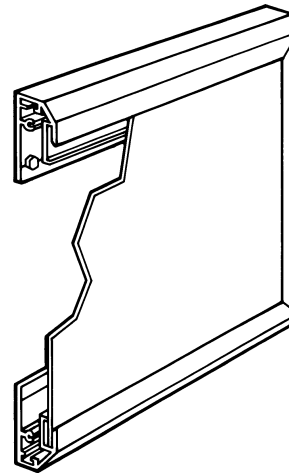
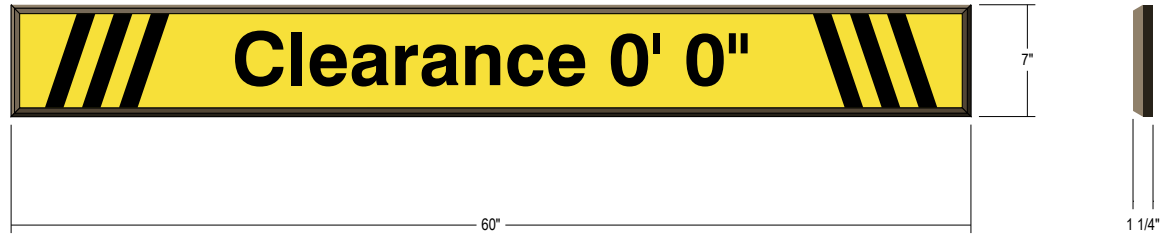
Faces: Single Faced Sign
Vandal and corrosion resistant non-illuminated sign system.
White background with Red Reflective Vinyl lettering.

FINISH

Standard Frame Color: Yellow
Custom colors available upon request

Product View

NOTE: Sign image may not exactly represent the finished product. For illustration purposes only.



MESSAGE	COLOR	HEIGHT	AMPS
Clearance 0' 0"	Black Reflective Vinyl	3.5"	

Signal-Tech
4985 Pittsburgh Ave.
Erie, PA 16509
Phone: (877) 547-9900
Fax: (814) 835-2300
Email: sales@signal-tech.com
Website: www.signal-tech.com



Proudly Made in the USA