

Inverted Single Post Mount P90B

PRODUCT NUMBER

2890

DIMENSIONS

90" H x 6" W x 6" D

INSTALLATION METHOD

Mount to solid surface using appropriate fasteners using 6" x 6" baseplates.

SYSTEM USES

Available for all signs.

CONSTRUCTION

(2) 2.25" x 3" extruded aluminum post with end caps, 90" in length with welded aluminum 6" x 6" baseplates. Includes mounting extrusion and set screw.

FINISH

Standard Cabinet Color: Duranodic Bronze
Custom colors available upon request

Signal-Tech
4985 Pittsburgh Ave.
Erie, PA 16509
Phone: (877) 547-9900
Fax: (814) 835-2300
Email: sales@signal-tech.com
Website: www.signal-tech.com

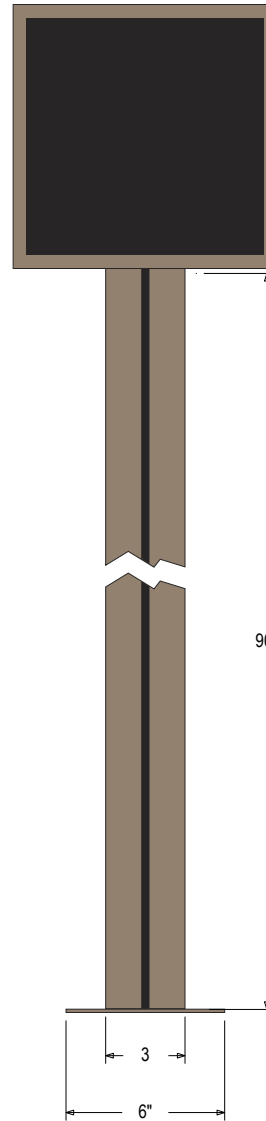


Proudly Made in the USA

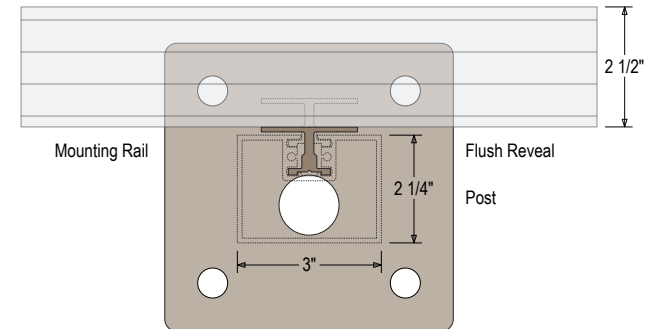
Product View

NOTE: Sign image may not exactly represent the finished product. For illustration purposes only.

Front View



Top View Flush Reveal



Top View 1/2" Reveal

