

Recessed Frame Mount RFI

PRODUCT NUMBER

3025

DIMENSIONS

17" H x 10" W x .125" D

INSTALLATION METHOD

Four tabs are bent allowing TCI cabinet to be mounted using 4 screws. Mounts to surface using the four 3/16" face frame holes using appropriate fasteners for surface material.

CONSTRUCTION

Cabinet - 1/8" Aluminum plate punched with mounting tabs and 3/16" holes

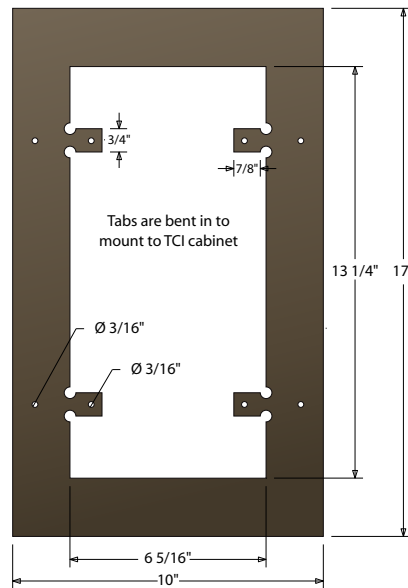
FINISH

Painted Standard Duranodic Bronze. Custom colors available upon request.

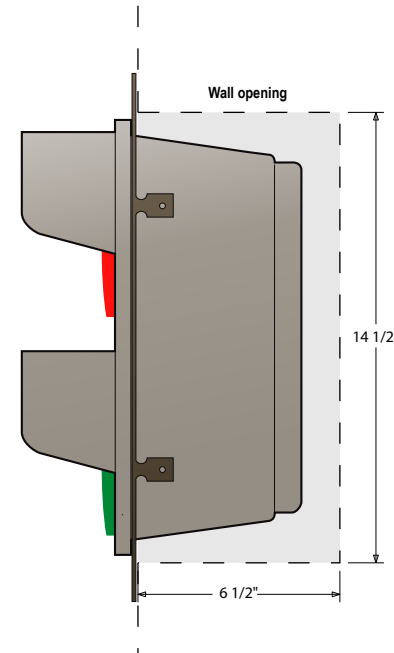
Product View

NOTE: Sign image may not exactly represent the finished product. For illustration purposes only.

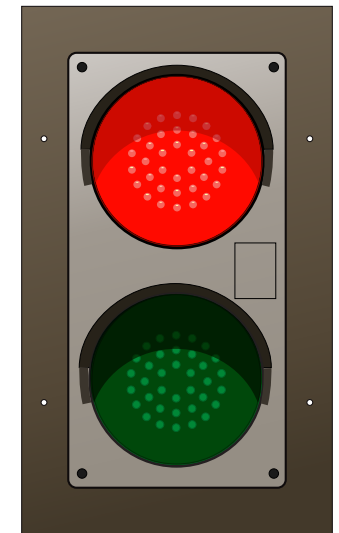
Back View



Side View



Front View



Wall opening must be 14-1/2" H x 7-1/2" L x 6-1/2" D

Illustrated using a vertical TCIL LED Signal
horizontal and incandescent TCI Signals similar

Signal-Tech
4985 Pittsburgh Ave.
Erie, PA 16509
Phone: (877) 547-9900
Fax: (814) 835-2300
Email: sales@signal-tech.com
Website: www.signal-tech.com



Proudly Made in the USA