

Six Gang Switch SXG

PRODUCT NUMBER

3105

DIMENSIONS

4.5" H x 11.75" W x 1" D

ILLUMINATION SOURCE

Red and Green Indicator Lamps

ELECTRICAL

120 VAC, 0.9 Amps

CONSTRUCTION

Switchplate: Stamped Stainless Steel

FINISH

Switchplate: Brushed Stainless Steel



Note: This sign is intended to be installed in accordance with the requirements of Article 600 of the National Electric Code and / or other applicable local codes. This includes proper grounding and bonding of the sign.



Note: Make appropriate wiring connections per local codes.

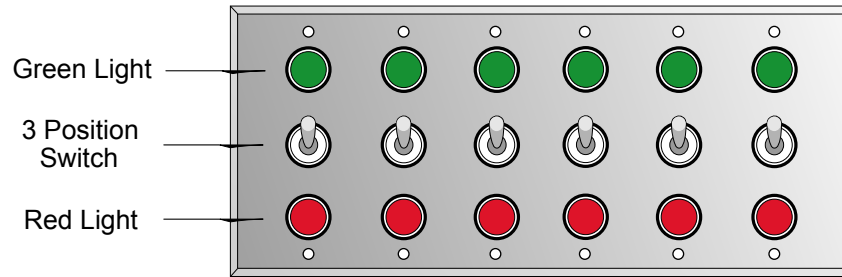


For Supply Connections
Use Wire Rated For
At Least 110° C

Product View

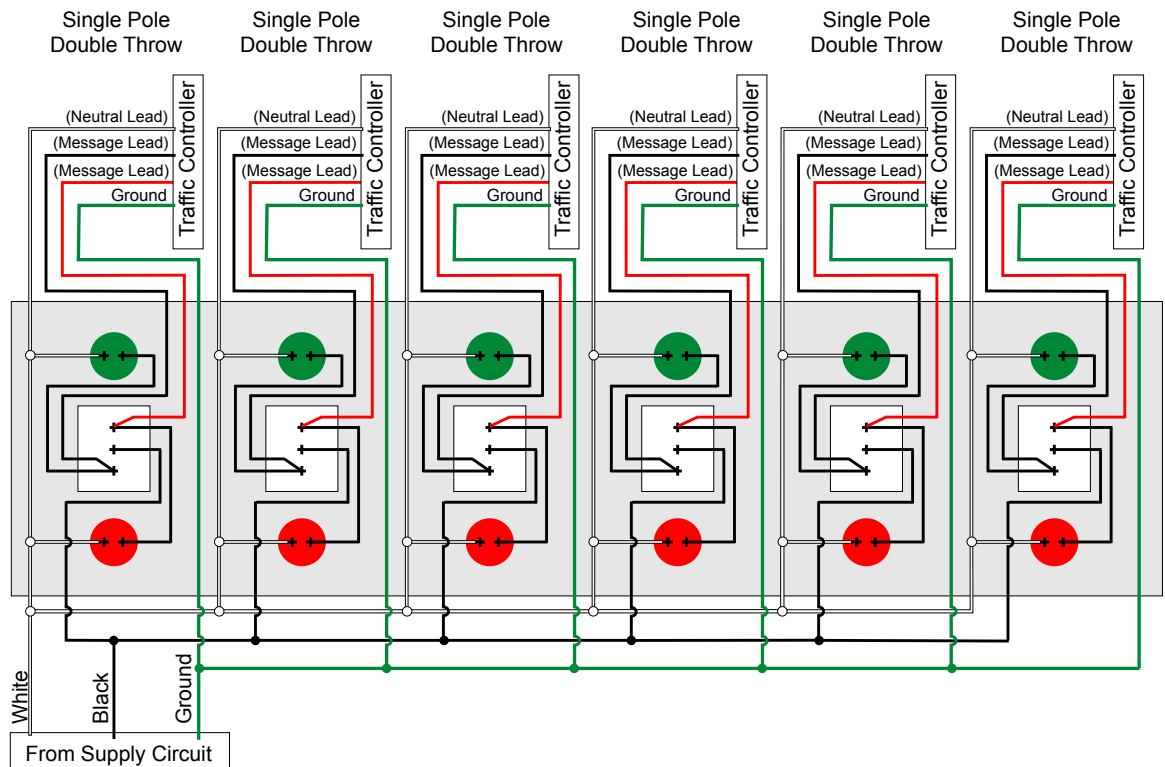
NOTE: Sign image may not exactly represent the finished product. For illustration purposes only.

Front View



Six Gang

Schematic View



Signal-Tech
4985 Pittsburgh Ave.
Erie, PA 16509
Phone: (877) 547-9900
Fax: (814) 835-2300
Email: sales@signal-tech.com
Website: www.signal-tech.com



Proudly Made in the USA