

# DOT LED SERIES

## Wiring Diagram

### Low Voltage Only

This sign operates within an input range of 12-24VDC.

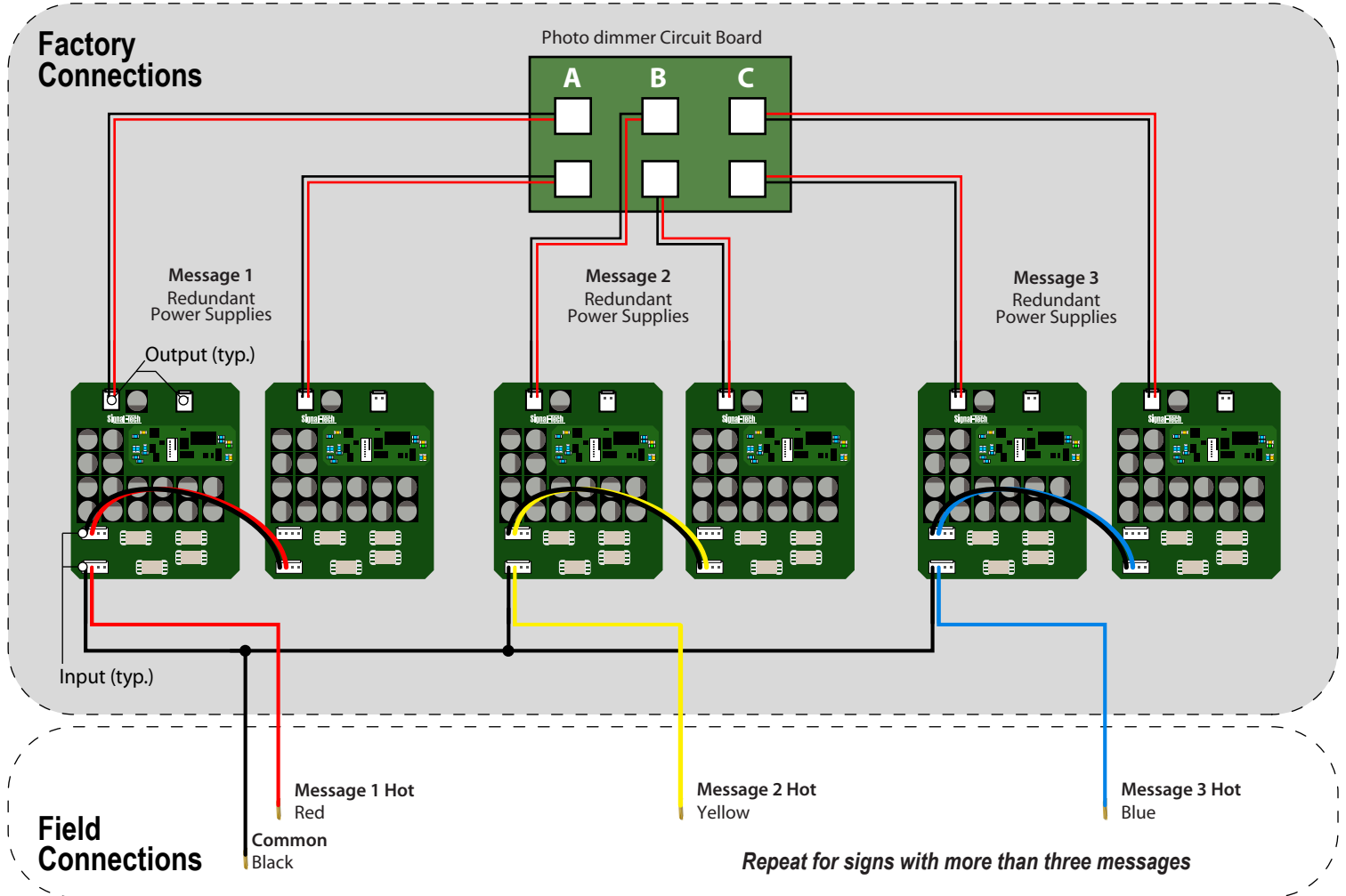


**Note:** Make appropriate wiring connections per local code.



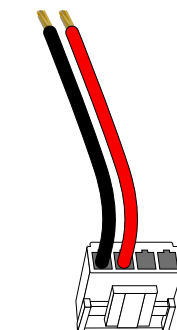
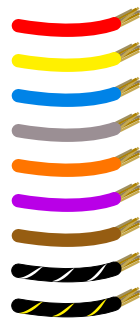
Always turn off the power prior to installation.

### Wiring Diagram



### General Wiring Guidelines\*

Number of Messages	Typical Wire (Lead) Colors
Message 1	Red
Message 2	Yellow
Message 3	Blue
Message 4	Gray
Message 5	Orange
Message 6	Purple
Message 7	Brown
Message 8	Black with White Stripes
Message 9	Black with Yellow Stripes



**Low Voltage ONLY!**



**Note:** Make appropriate wiring connections per local code.

**Note:** Any holes drilled into sign cabinet MUST be sealed. Failure to do so may cause a short and void warranty.

**Note:** This sign is intended to be installed in accordance with the requirements of Article 600 of the National Electric Code and/or other applicable local codes. This includes proper grounding and bonding of the sign.

**Note:** This unit contains a built-in CLASS 2 LED driver.

**WARNING** - Risk of Fire or Electric Shock. Do Not interconnect output terminations.

**AVERTISSEMENT** - Risque d'incendie ou de choc électrique. Ne pas interconnecter les terminaisons de sortie.

\*Common is solid Black and Ground (if equipped) is solid Green.