

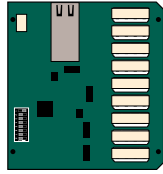
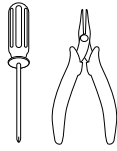
# Smart Sign S-TCL/S-PHX Series



## Smart Sign Controller Replacement Instructions

### What You Need:

- Phillips Head Screw Driver
- Needle Nose Pliers
- New Controller Board



Always turn off the power prior to installation.



Be sure any metal debris cleared out of the cabinet.

### Opening Sign Cabinet

- Turn off power to sign.
- Using a Phillips head screw driver, remove the two screws on the bottom of the cabinet. With the screws removed, open the sign by pulling the bottom of the sign forward hinging it on the top.

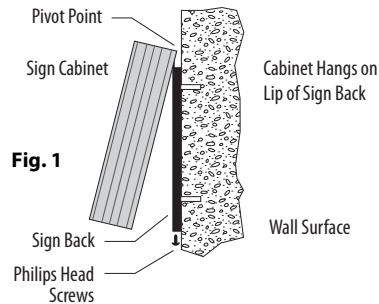


Fig. 1

### Removing Existing Sign Controller

- Locate the existing controller with its Ethernet port and low-voltage 4-pin connectors (1 for each sign message).

Keep the 4-pin connectors attached for now until the new controller is installed.

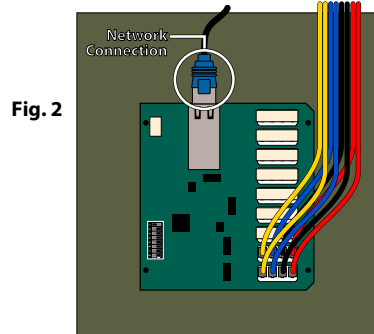


Fig. 2

- Place the sign face down on a clean protective surface to avoid scratching the face. Locate the four (4) black plastic standoffs (Christmas trees) holding the controller to the display board.

Use needle nose pliers or small angled cutters to squeeze the top of the standoffs, then pull up on the controller board. Do this for all four standoffs and remove the board.

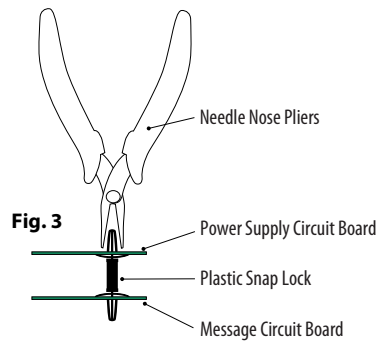


Fig. 3

- Install the new controller using the existing standoffs (extra standoffs are included in case any are broken during removal).

Make sure clips are fully engaged.

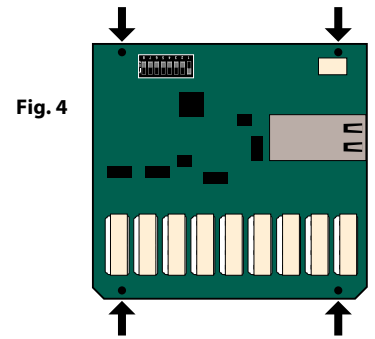
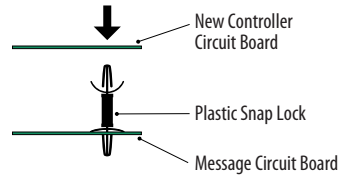


Fig. 4

### Transferring Wire Harness and Ethernet to new Controller

- One at a time move the 4-pin connectors from the old controller to the same port on the new controller.

**Important:** if any of the wire harnesses are switched or misplaced, the sign will not function as intended.

**Tip:** It's easier to remove the connectors right to left (if oriented as shown)

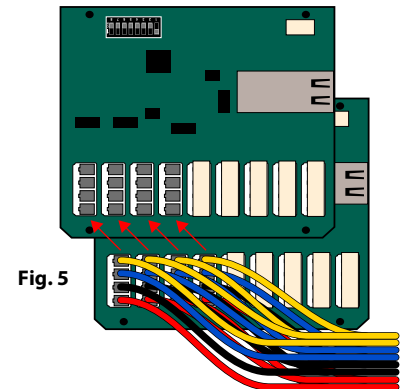


Fig. 5

- Move the Ethernet cable from the old controller to the new controller.

### MAC Address

- Replace all original MAC address stickers inside the sign and on the right side of the sign's frame.

<b>Product ID</b> 12345	<b>MAC Address</b> AB:12:CD:34:EF:56
<b>Serial Number</b> ABCD-1234-EFGH-5678	
<b>Message</b> Signal-Tech   OPEN   CLOSED	



**Important:** Keep a MAC address sticker for the facility's IT admin(s) as the sign controller will need re-added to the network.

- Close the sign cabinet and replace the screws removed from the bottom in step 2.

- Yay you're done! Turn on the power to the sign.