

RLB LED SERIES




Installation Instructions


Voltage

This sign operates within an input range of 120VAC to 240VAC.

What You Need:

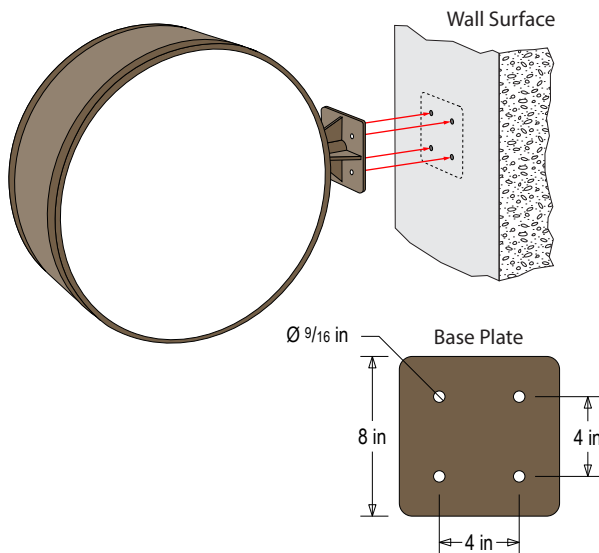
Control Switch (*ordered separately*)
Appropriate Wall Fasteners
Electrical Connectors / Conduit
Pencil
Level

 Always turn off the power prior to installation.

 Be sure any metal debris cleared out of the cabinet.

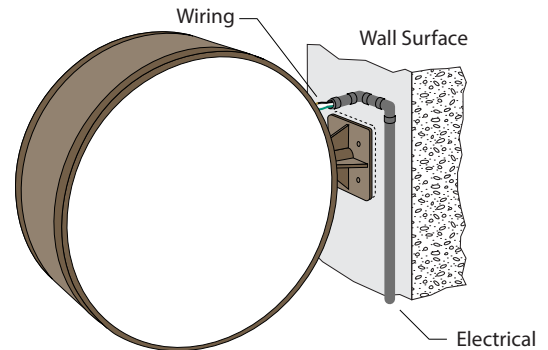
Installation Steps

1. Mount sign to wall surface using appropriate fasteners. (*not included*)
Holes in baseplate are 9/16" and are spaced 4" center to center.



Making your Wiring Connections

2. Make water tight electrical connections per local code using 14/3 wire pigtail coming out of sign. White wire – Neutral, Black wire – Line, Green wire – Ground.



Wiring Guide

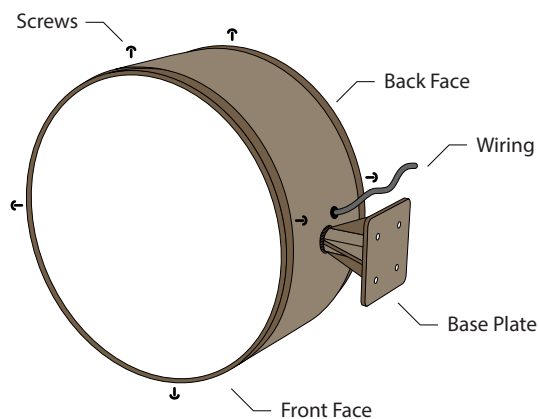
Typical Wire (Lead) Colors
White Wire – Neutral
Black Wire – Line
Green Wire – Ground



Note: Make appropriate wiring connections per local code.

Opening the Sign Cabinet

3. Normally there is no need to open the sign cabinet for installation with all wiring already outside of the cabinet. If needed the cabinet can be opened by removing the screws around the sign face perimeter. Re-installation of the sign face is the opposite.



Warning Statements

Note: Make appropriate wiring connections per local code.

Note: Any holes drilled into sign cabinet **MUST** be sealed. Failure to do so may cause a short and void warranty.

Note: This unit contains a built-in CLASS 2 LED driver.

Note: This sign is intended to be installed in accordance with the requirements of Article 600 of the National Electric Code and/or other applicable local codes. This includes proper grounding and bonding of the sign.



WARNING: Risk of Fire or Electric Shock. Do Not interconnect output terminations.

AVERTISSEMENT: Risque d'incendie ou de choc électrique. Ne pas interconnecter les terminaisons de sortie.