

STR LED SERIES



Wiring Diagram

Voltage

This sign operates within an input range of 120VAC to 240VAC.



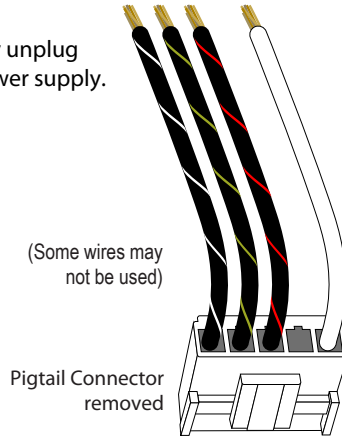
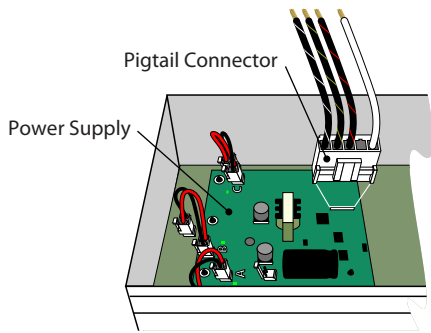
Note: Make appropriate wiring connections per local code.



Always turn off the power prior to installation.

Making your Wiring Connections

1. To make your electrical connections easier, gently unplug the supplied wired pigtail connector from the power supply.



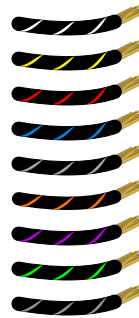
2. With your incoming power already running through the mounted back you can easily make all connections to the pigtail using wire connectors. (See table below for general wiring guidelines)

3. Plug the pigtail connector back into the power supply to finish off the electrical part of your installation. The connector is "keyed" and can only be installed in one orientation

4. You're done with the electrical! Time to close up the sign by pushing the cabinet closed and replacing the two screws you removed from the bottom of the cabinet.

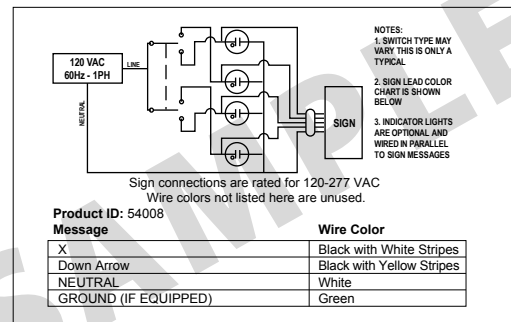
General Wiring Guidelines*

Number of Messages	Typical Wire (Lead) Colors
Message 1	Black with White Stripes
Message 2	Black with Yellow Stripes
Message 3	Black with Red Stripes
Message 4	Black with Blue Stripes
Message 5	Black with Gray Stripes
Message 6	Black with Orange Stripes
Message 7	Black with Purple Stripes
Message 8	Black with Green Stripes
Message 9	Black with Brown Stripes



*Neutral is solid White and Ground is solid Green.

Wiring Label Sample for a typical 2 Message X | Down Arrow Sign



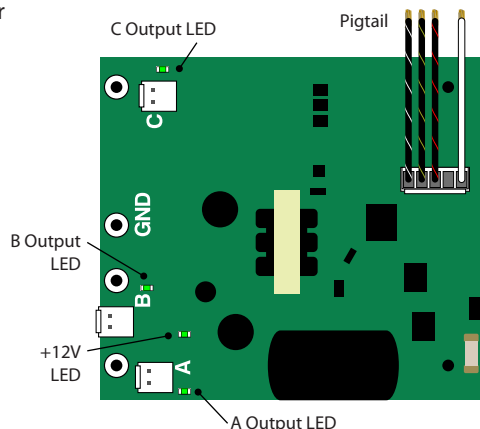
Note: Refer to the wiring label inside the sign for the specific instructions on wiring your sign. Some wires may not be used.

Normal Operation

There is one (1) LED on the power supply located close to the connector with the Red and Black wires. This LED marked V OUT, will illuminate green when 120 - 277VAC power is applied to the Pigtail.

Check the LED on each power supply since there may be more than one power supply per message.

Note: Transformer on power supply converts 120 - 277VAC to 12V.



Note: Make appropriate wiring connections per local code.

Note: Any holes drilled into sign cabinet MUST be sealed. Failure to do so may cause a short and void warranty.

Note: This sign is intended to be installed in accordance with the requirements of Article 600 of the National Electric Code and/or other applicable local codes. This includes proper grounding and bonding of the sign.

Note: This unit contains a built-in CLASS 2 LED driver.

WARNING - Risk of Fire or Electric Shock. Do Not interconnect output terminations.

AVERTISSEMENT - Risque d'incendie ou de choc électrique. Ne pas interconnecter les terminaisons de sortie.