

STR LED SERIES



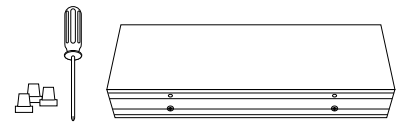
Installation Instructions

Low Voltage ONLY!

This sign operates within an input range of 12VDC to 24VDC.

What You Need:

Phillips Head Screw Driver
Control Switch (*ordered separately*)
Appropriate Wall Fasteners
Wire Connectors
Pencil
Level



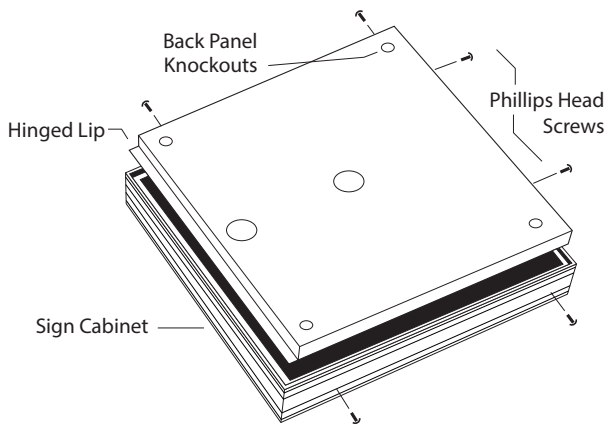
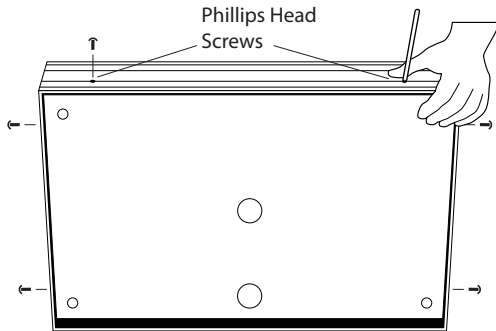
Always turn off the power prior to installation.



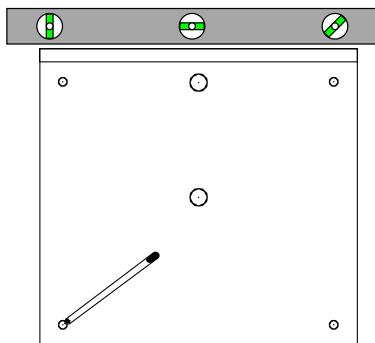
Be sure any metal debris cleared out of the cabinet.

Installation Steps

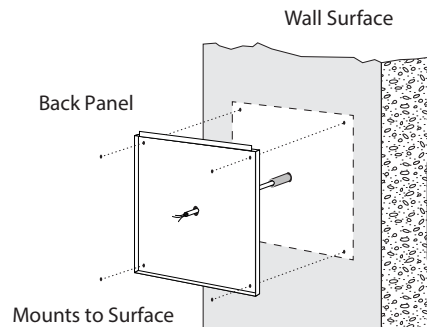
1. Using a Phillips head screw driver, remove a total of six (6) screws. Two (2) each on sides and bottom of the cabinet. With the screws removed the back will lift off the cabinet. Remove the four (4) mounting knockouts and the center knockout for your power conduit.



2. Place the back panel on the wall surface using a level to make sure it's straight. Use a pencil to mark the locations of the mounting holes on your wall surface. Drill your wall surface. The diameter of the four (4) corner mounting knockouts is 1/4" and the conduit knockout is 7/8".



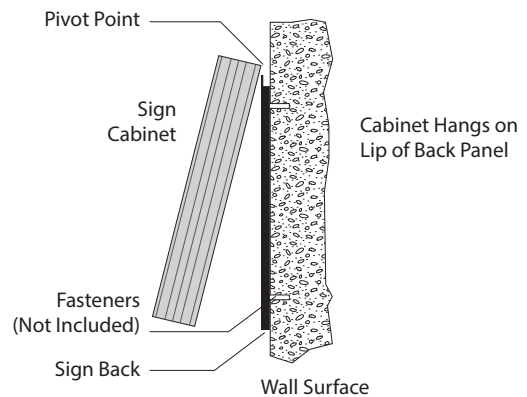
3. Pull your electrical through the back panel and attach the back to the wall surface using appropriate fasteners.



Be sure any metal debris cleared out of the cabinet.

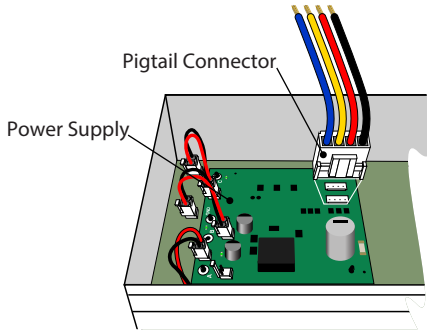
4. Make your electrical wiring connections. See the other side of this page.

5. With the electrical connections made, hang the sign cabinet on the lip of the back panel you mounted to the wall. Finish your electrical connection to the sign by reinstalling the pigtail connector to the power supply. The connector is "keyed" and can only be installed in one orientation. Close the cabinet and replace the two Phillips head screws you removed in step one.



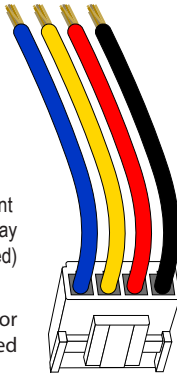
Making your Wiring Connections

1. To make your electrical connections easier, gently unplug the supplied pigtail connector from the power supply.



(All wires present but some may not be used)

Pigtail Connector removed



Low Voltage ONLY!

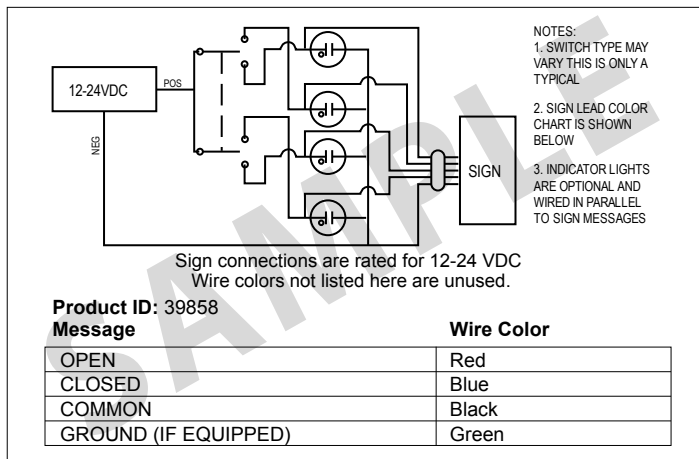
2. With your incoming power already running through the mounted back you can easily make all connections to the pigtail using wire connectors. (See table below for general wiring guidelines)
3. Plug the pigtail connector back into the power supply to finish off the electrical part of your installation. The connector is "keyed" and can only be installed in one orientation
4. You're done with the electrical! Time to close up the sign by pushing the cabinet closed and replacing the two screws you removed from the bottom of the cabinet.



Note: Make appropriate wiring connections per local code.

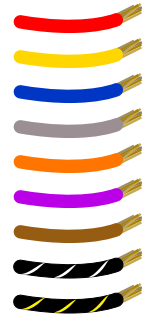
Sample Wiring Label

Wiring Label Sample for a typical 2 Message OPEN | CLOSED Sign



General Wiring Guidelines*

Typical Wire (Lead) Colors
Red
Yellow
Blue
Gray
Orange
Purple
Brown
Black with White Stripes
Black with Yellow Stripes



*Common is solid Black and Ground (if equipped) is solid Green.



Note: Refer to the wiring label inside the sign for the specific instructions on wiring your sign. Some wires may not be used.