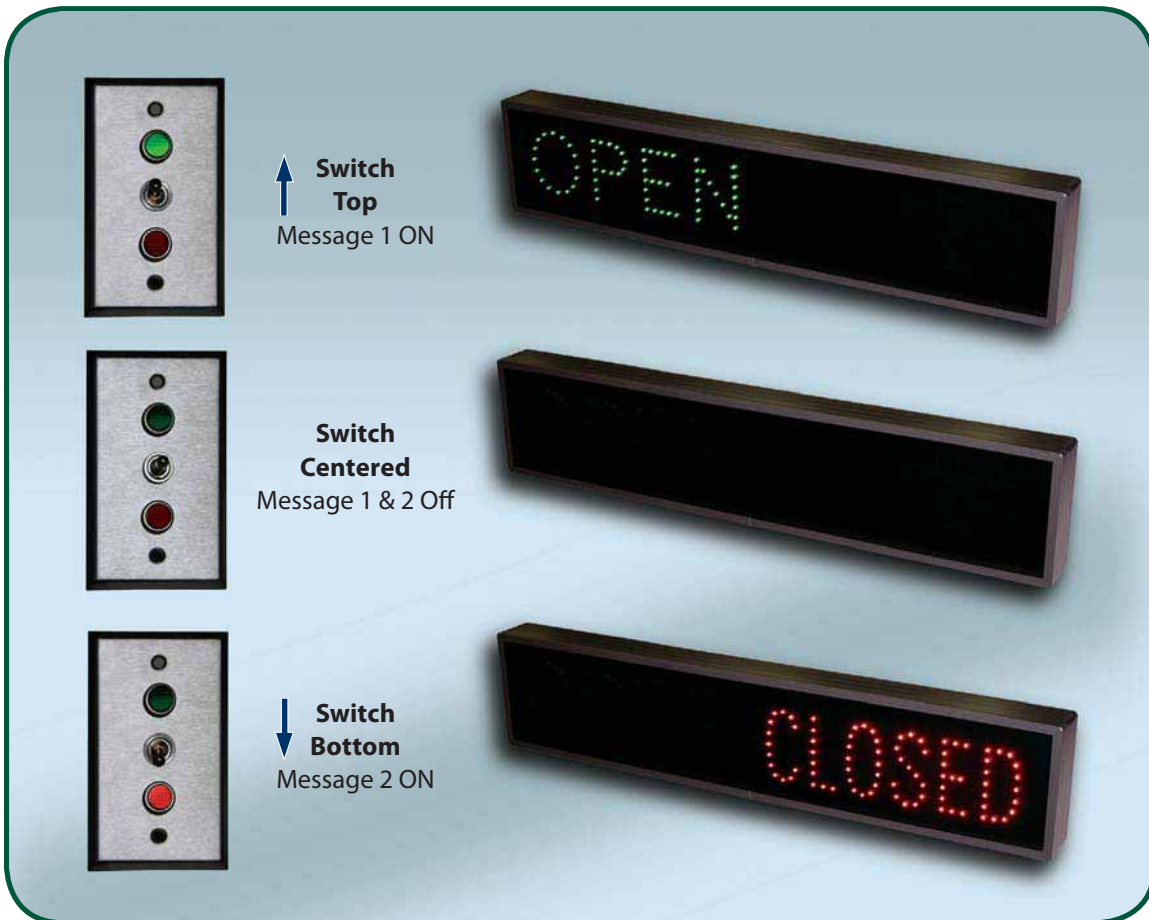


Switches

Example:

Single Pole, Double Throw, 2-Position Switch



Switches Wiring Diagram

Switch Wiring Examples

- (A) (1) Single Pole / Double Throw Switch**
- (B) (1) Single Pole / Single Throw Switches**



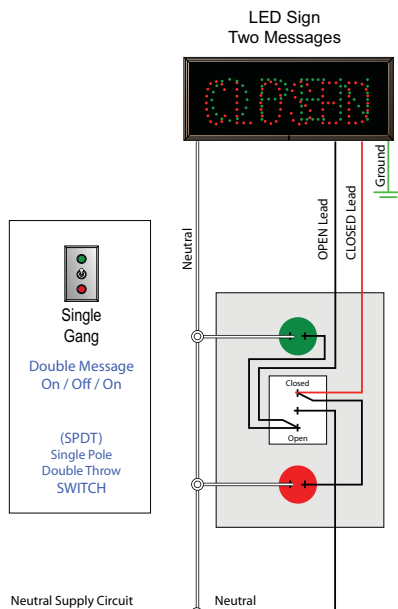
Note: This sign is intended to be installed in accordance with the requirements of Article 600 of the National Electric Code and / or other applicable local codes. This includes proper grounding and bonding of the sign.



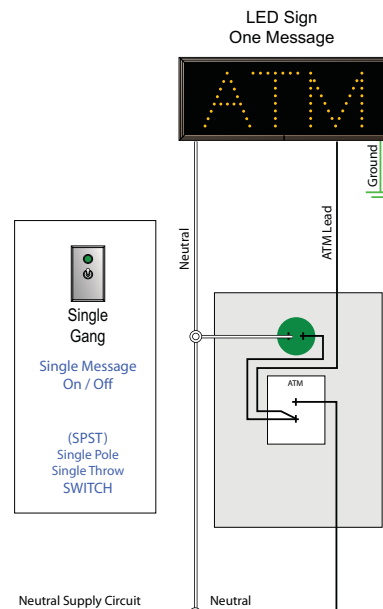
For Supply Connections
Use Wire Rated For
At Least 110° C

Schematic View

(A) LED Sign with Two Messages



(B) LED Sign with One Message



Switches Wiring Diagram

Switch Wiring Examples

- (A) (1) Double Pole / Double Throw Switch**
- (B) (2) Double Pole / Double Throw Switches**

All switches are compatible with all light sources.



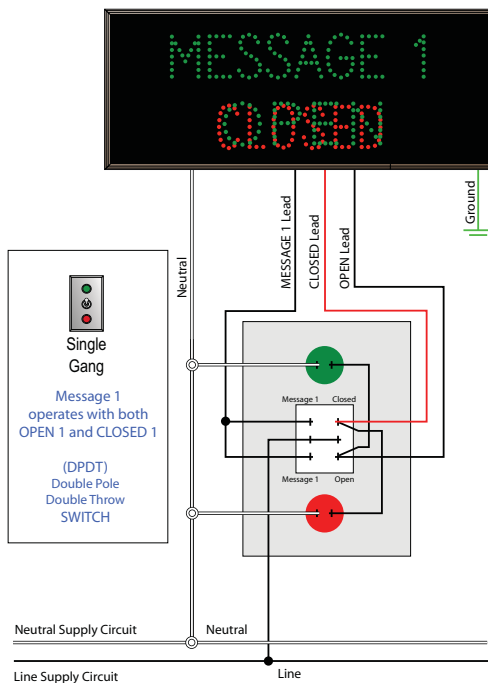
Note: This sign is intended to be installed in accordance with the requirements of Article 600 of the National Electric Code and / or other applicable local codes. This includes proper grounding and bonding of the sign.



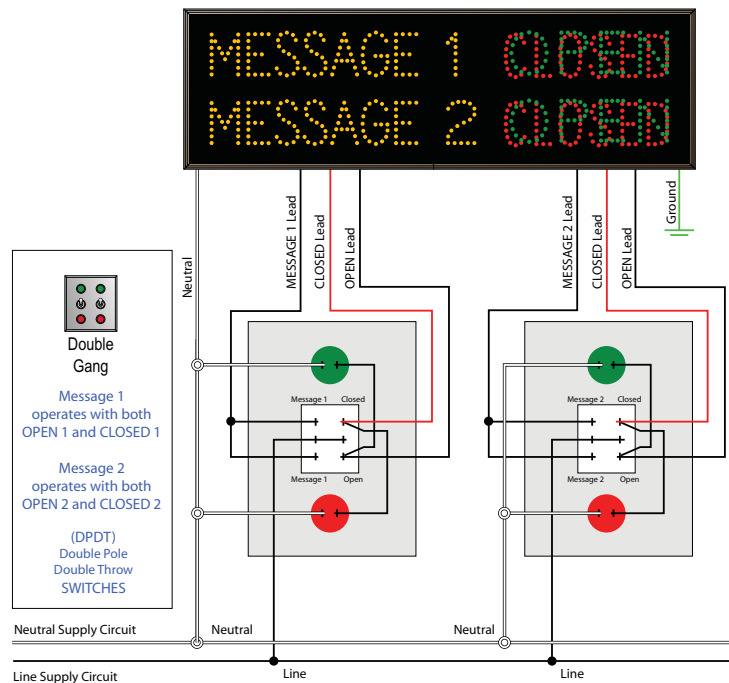
For Supply Connections
Use Wire Rated For
At Least 110° C

Schematic View

(A) LED Sign with Two Messages

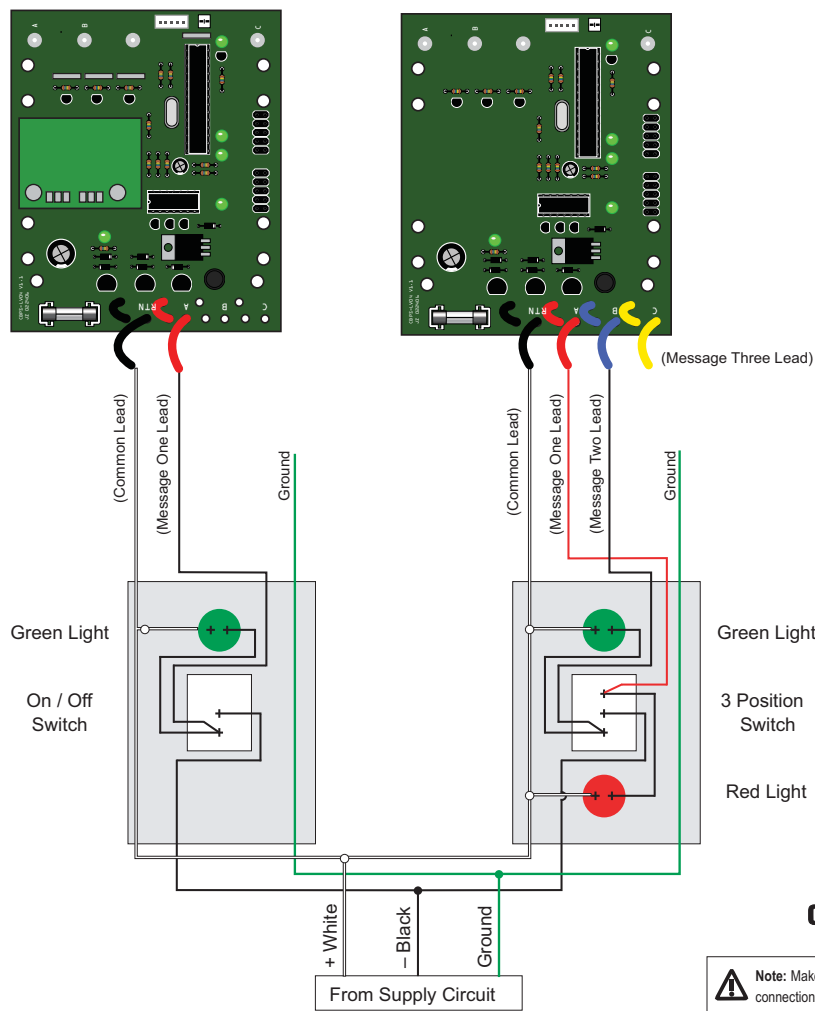



(B) LED Sign with Four Messages



Switches Wiring Diagram

Low Voltage Power Supply Wiring Diagram



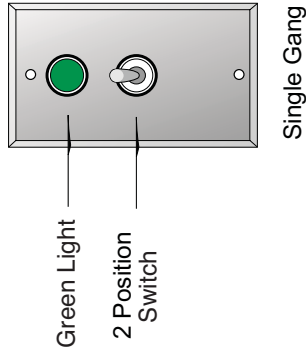

Note: Make appropriate wiring connections per local codes.

For Supply Connections
 Use Wire Rated For
 At Least 1107 $\frac{1}{2}$ C

120 Volts 0.9 Amps

Single Gang Switch SG2 - 1 On/Off Switch

Front View



PART NUMBER
SG2 (One Single Pole / Single Throw Switch)

SWITCHPLATE DIMENSIONS
4.5" H x 2.75" L

ILLUMINATION SOURCE
Green and Red Indicator Lamps

ELECTRICAL
120 VAC, 0.9 Amps

CONSTRUCTION
Switchplate - Stamped Stainless Steel

FINISH
Switchplate - Brushed Stainless Steel

Note: This sign is intended to be installed in accordance with the requirements of Article 600 of the National Electric Code and / or other applicable local codes. This includes proper grounding and bonding of the sign.

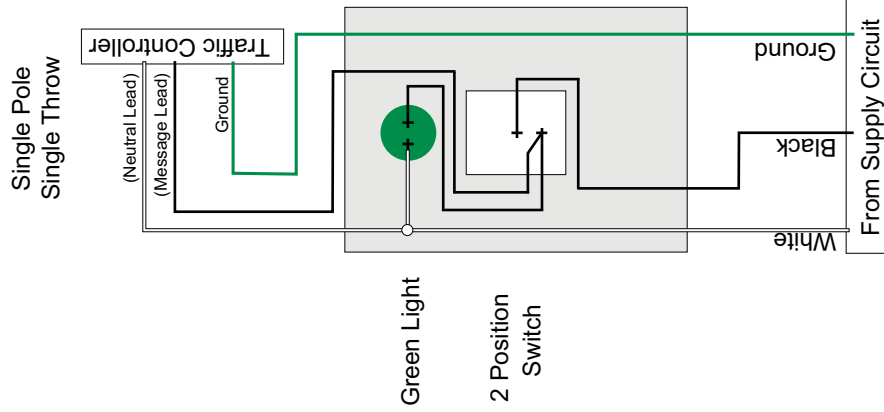


For Supply Connections
Use Wire Rated For
At Least 110° C

Note: Make appropriate wiring connections per local codes.

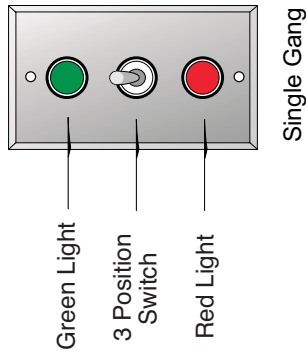


Schematic View



Single Gang Switch SG - 1 Single Pole / Double Throw Switch

Front View



PART NUMBER
SG (One Single Pole / Double Throw Switch)

SWITCHPLATE DIMENSIONS
4.5" H x 2.75" L

ILLUMINATION SOURCE
Green and Red Indicator Lamps

ELECTRICAL
120 VAC, 0.9 Amps

CONSTRUCTION
Switchplate - Stamped Stainless Steel

FINISH
Switchplate - Brushed Stainless Steel

Note: This sign is intended to be installed in accordance with the requirements of Article 600 of the National Electric Code and / or other applicable local codes. This includes proper grounding and bonding of the sign.

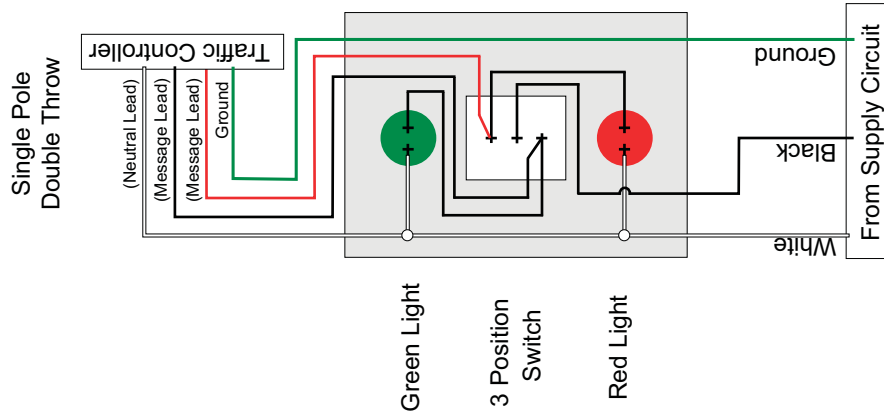


For Supply Connections
Use Wire Rated For
At Least 110° C



Note: Make appropriate wiring connections per local codes.

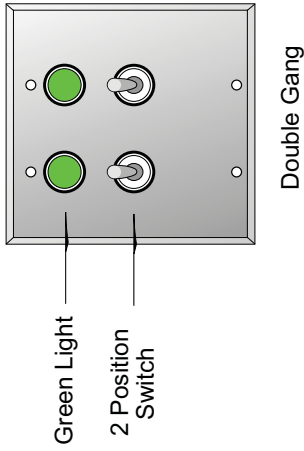
Schematic View



Double Gang Switch

DG22 Double Gang 2 On / Off Switches

Front View



PART NUMBER

DG22 (Two Single Pole / Single Throw Switches)

SWITCHPLATE DIMENSIONS

4.5" H x 4.5" L

ILLUMINATION SOURCE

Green Indicator Lamp

ELECTRICAL

120 VAC, 0.9 Amps

CONSTRUCTION

Switchplate - Stamped Stainless Steel

FINISH

Switchplate - Brushed Stainless Steel



Note: This sign is intended to be installed in accordance with the requirements of Article 600 of the National Electric Code and / or other applicable local codes. This includes proper grounding and bonding of the sign.

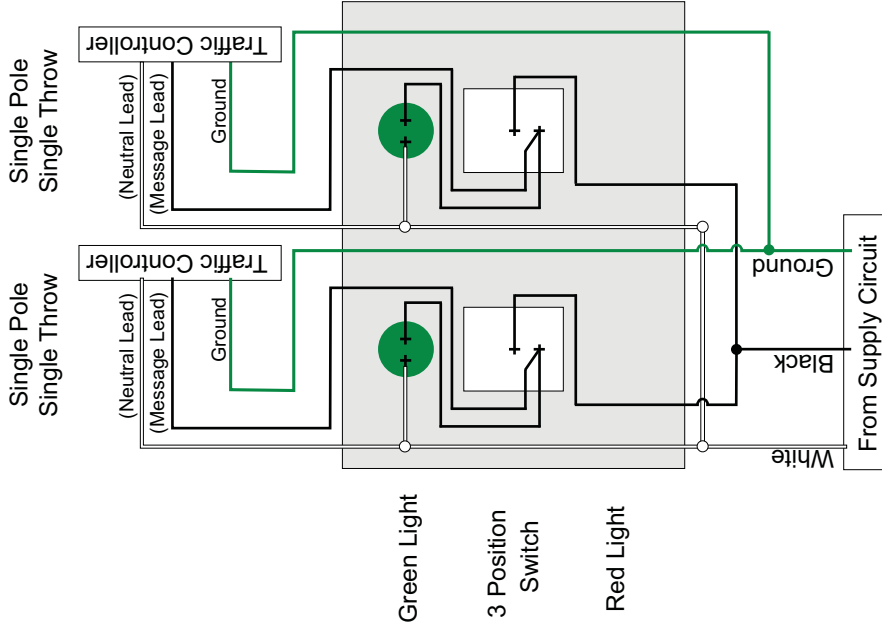


For Supply Connections
Use Wire Rated For
At Least 110° C



Note: Make appropriate wiring connections per local codes.

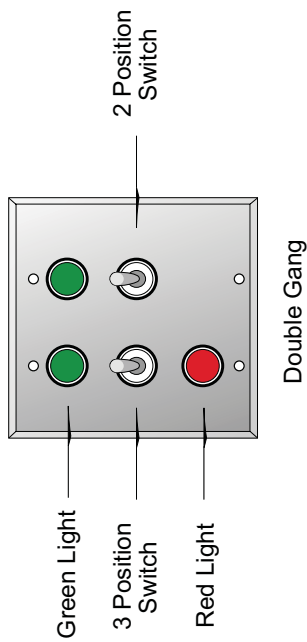
Schematic View



Double Gang Switch

DG32 - 1 Single Pole Double Throw, 1 On/Off Switch

Front View



PART NUMBER

DG32 (One Single Pole / Double Throw Switch, One Single Pole / Single Throw Switch)

SWITCHPLATE DIMENSIONS

4.5" H x 4.5" L

ILLUMINATION SOURCE

Green and Red Indicator Lamps

ELECTRICAL

120 VAC, 0.9 Amps

CONSTRUCTION

Switchplate - Stamped Stainless Steel

FINISH

Switchplate - Brushed Stainless Steel



Note: This sign is intended to be installed in accordance with the requirements of Article 600 of the National Electric Code and / or other applicable local codes. This includes proper grounding and bonding of the sign.

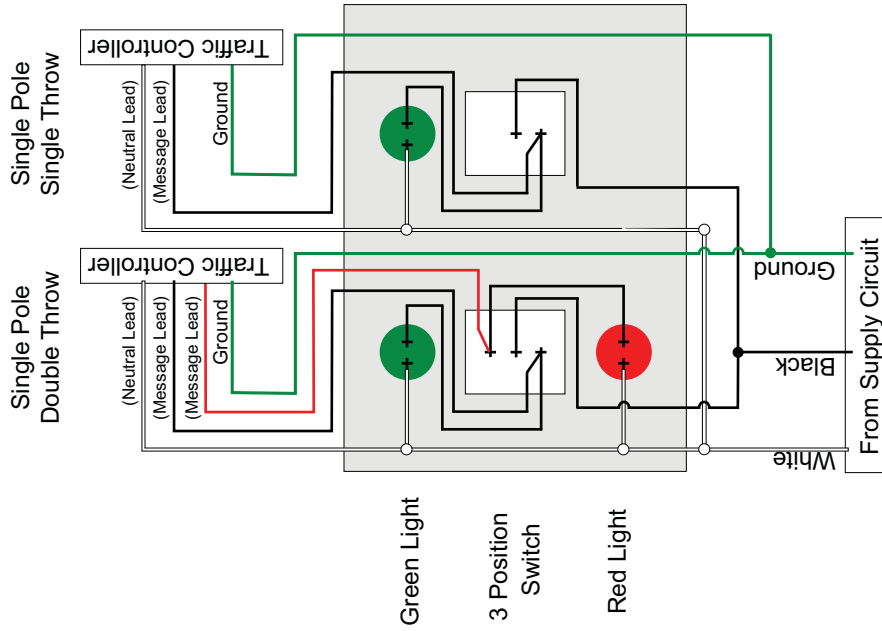


For Supply Connections
Use Wire Rated For
At Least 110° C



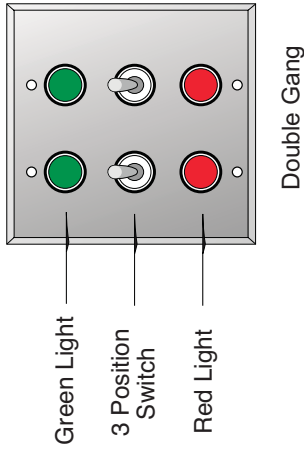
Note: Make appropriate wiring connections per local codes.

Schematic View



Double Gang Switch DG - Two Single Pole / Double Throw Switches

Front View



Green Light
3 Position Switch
Red Light

Double Gang

PART NUMBER

DG (Two Single Pole / Double Throw Switches)

SWITCHPLATE DIMENSIONS

4.5" H x 4.5" L

ILLUMINATION SOURCE

Green and Red Indicator Lamps

ELECTRICAL

120 VAC, 0.9 Amps

CONSTRUCTION

Switchplate - Stamped Stainless Steel

FINISH

Switchplate - Brushed Stainless Steel



Note: This sign is intended to be installed in accordance with the requirements of Article 600 of the National Electric Code and / or other applicable local codes. This includes proper grounding and bonding of the sign.

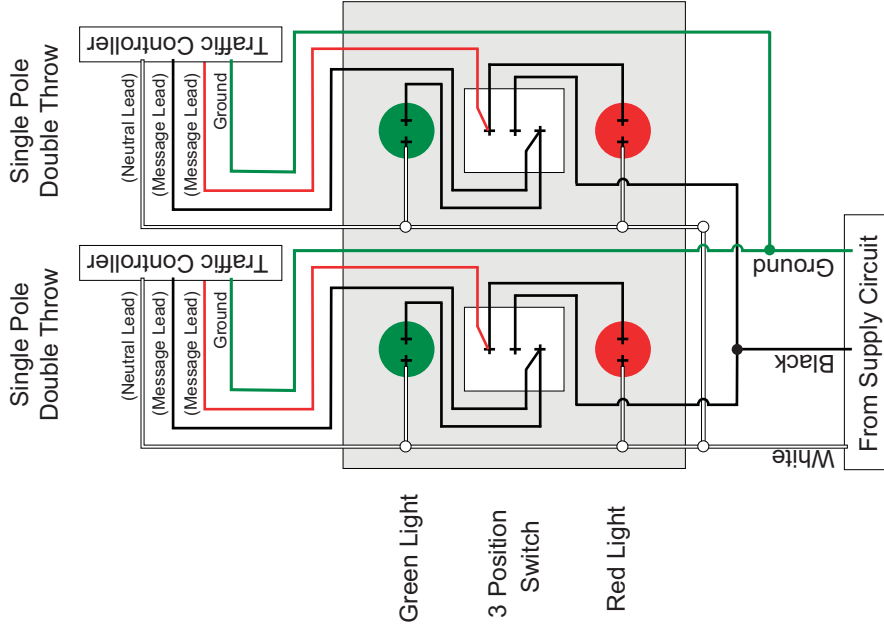


For Supply Connections
Use Wire Rated For
At Least 110° C



Note: Make appropriate wiring connections per local codes.

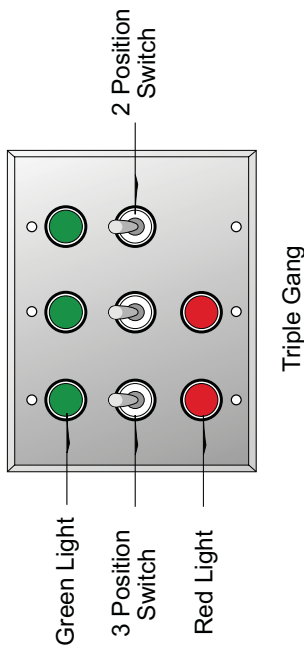
Schematic View



TG332 - 2 Single Pole / Double Throw, 1 On/Off Switch

Triple Gang Switch

Front View



PART NUMBER

TG332 (Two Single Pole / Double Throw Switches, One Single Pole / Single Throw)

SWITCHPLATE DIMENSIONS

4.5" H x 6.375" L

ILLUMINATION SOURCE

Green and Red Indicator Lamps

ELECTRICAL

120 VAC, 0.9 Amps

CONSTRUCTION

Switchplate - Stamped Stainless Steel

FINISH

Switchplate - Brushed Stainless Steel



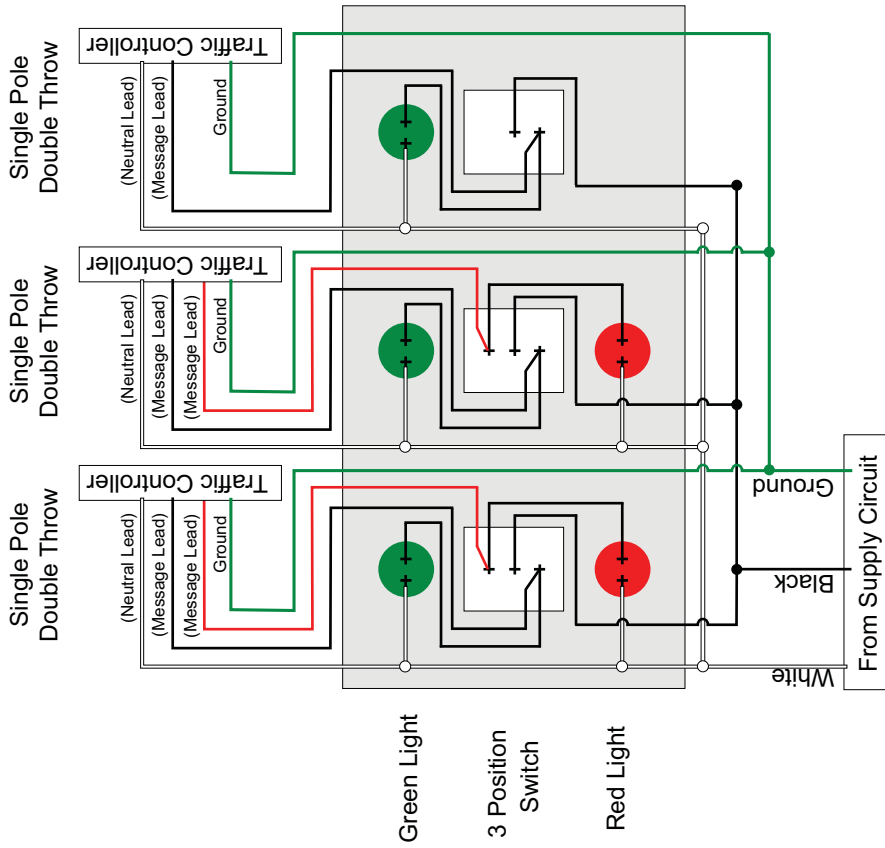
Note: This sign is intended to be installed in accordance with the requirements of Article 600 of the National Electric Code and / or other applicable local codes. This includes proper grounding and bonding of the sign.



For Supply Connections
Use Wire Rated For
At Least 110° C

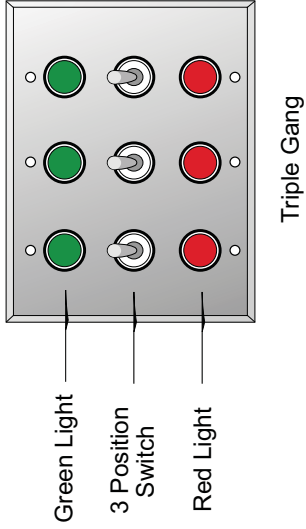
Note: Make appropriate wiring connections per local codes.

Schematic View



Triple Gang Switch TG - 3 Single Pole / Double Throw Switches

Front View



PART NUMBER

TG (Three Single Pole / Double Throw Switches)

SWITCHPLATE DIMENSIONS

4.5" H x 6.375" L

ILLUMINATION SOURCE

Green and Red Indicator Lamps

ELECTRICAL

120 VAC, 0.9 Amps

CONSTRUCTION

Switchplate - Stamped Stainless Steel

FINISH

Switchplate - Brushed Stainless Steel



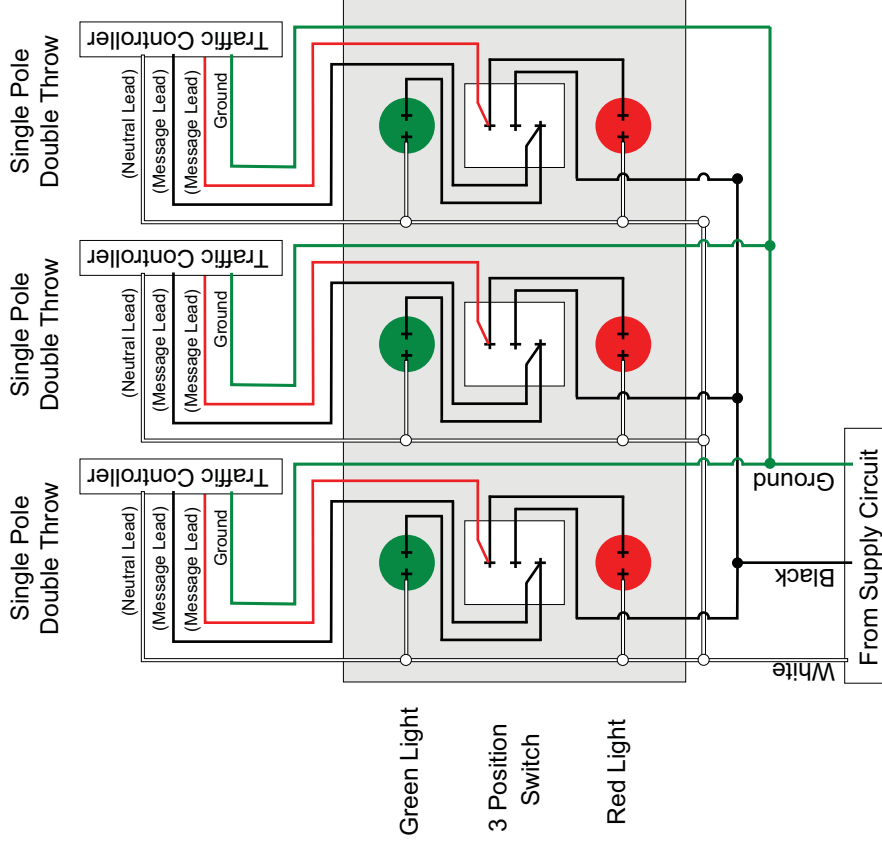
Note: This sign is intended to be installed in accordance with the requirements of Article 600 of the National Electric Code and / or other applicable local codes. This includes proper grounding and bonding of the sign.



For Supply Connections
Use Wire Rated For
At Least 110° C

Note: Make appropriate wiring connections per local codes.

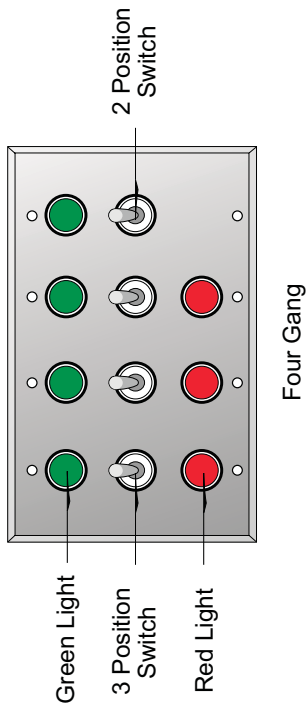
Schematic View



Four Gang Switch

FG3332 - 3 Single Pole / Double Throw, 1 On/Off Switch

Front View



PART NUMBER

FG3332 (Three Single Pole / Double Throw Switches, One Single Pole / Single Throw)

SWITCHPLATE DIMENSIONS

4.5" H x 8.25" L

ILLUMINATION SOURCE

Green and Red Indicator Lamps

ELECTRICAL

120 VAC, 0.9 Amps

CONSTRUCTION

Switchplate - Stamped Stainless Steel

FINISH

Switchplate - Brushed Stainless Steel

Note: This sign is intended to be installed in accordance with the requirements of Article 600 of the National Electric Code and / or other applicable local codes. This includes proper grounding and bonding of the sign.

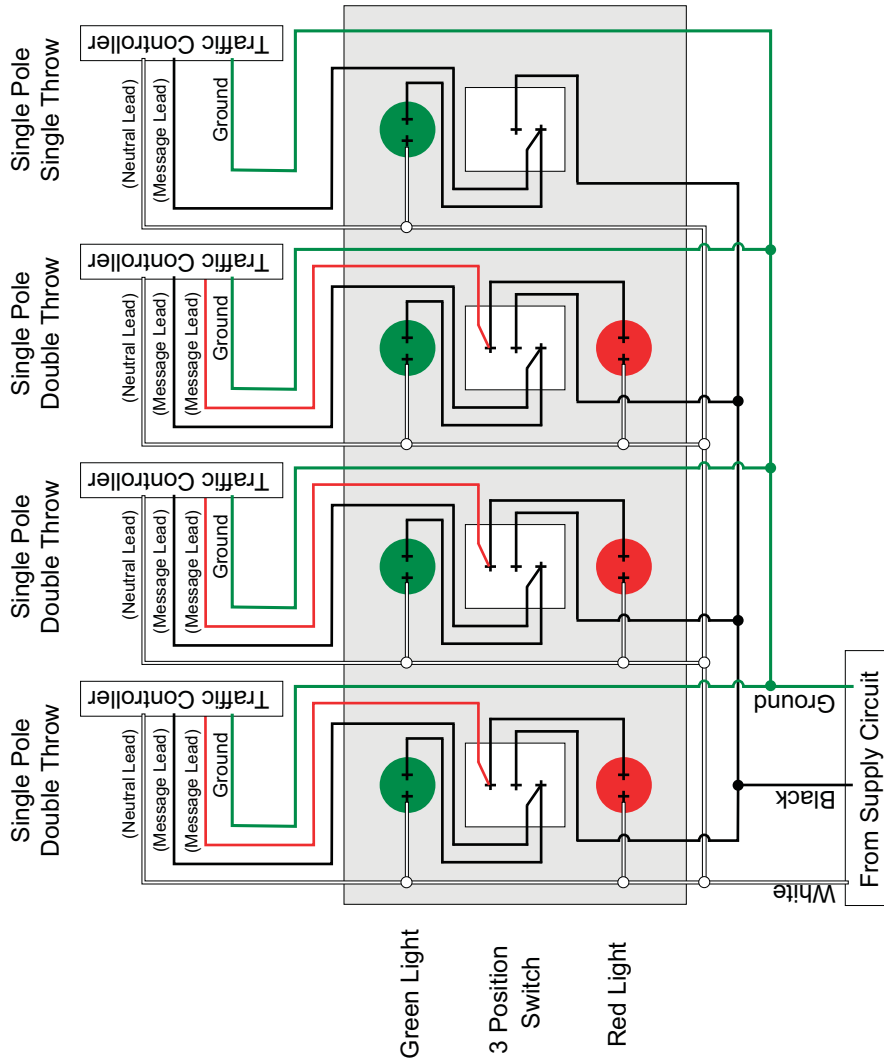


For Supply Connections
Use Wire Rated For
At Least 110° C



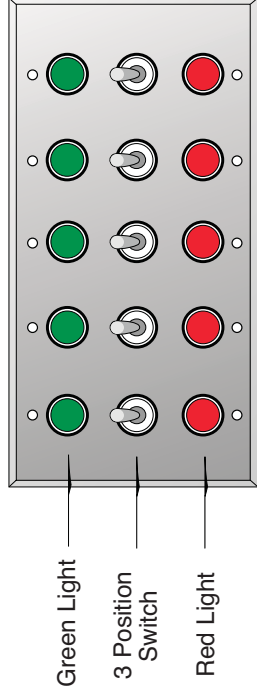
Note: Make appropriate wiring connections per local codes.

Schematic View

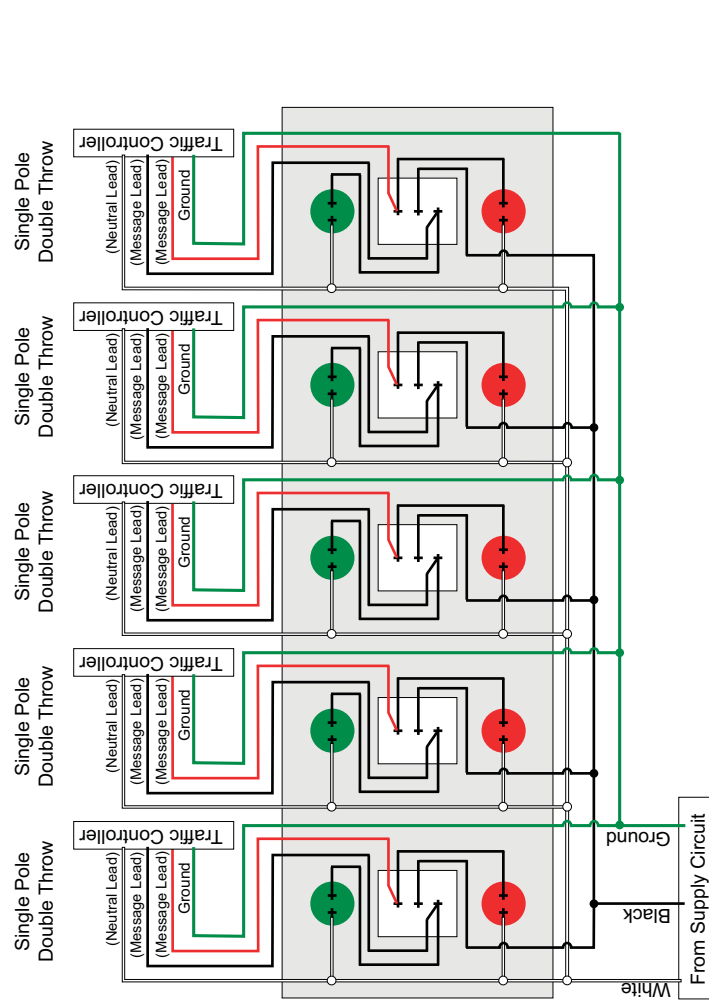


Five Gang Switch FVG - 5 Single Pole / Double Throw Switches

Front View



Schematic View



PART NUMBER

FVG (Five Single Pole / Double Throw Switches)

SWITCHPLATE DIMENSIONS

4.5" H x 10" L

ILLUMINATION SOURCE

Green and Red Indicator Lamps

ELECTRICAL

120 VAC, 0.9 Amps

CONSTRUCTION

Switchplate - Stamped Stainless Steel

FINISH

Switchplate - Brushed Stainless Steel



Note: This sign is intended to be installed in accordance with the requirements of Article 600 of the National Electric Code and / or other applicable local codes. This includes proper grounding and bonding of the sign.



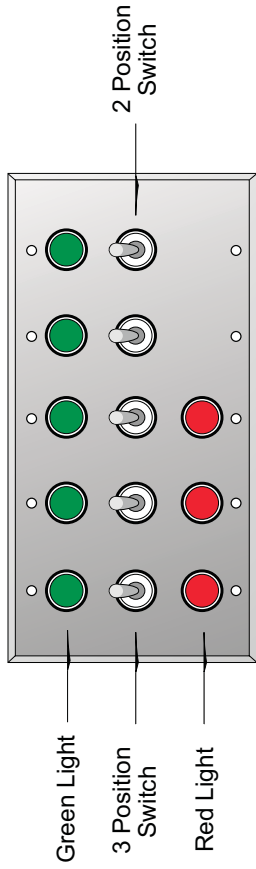
For Supply Connections
Use Wire Rated For
At Least 110° C



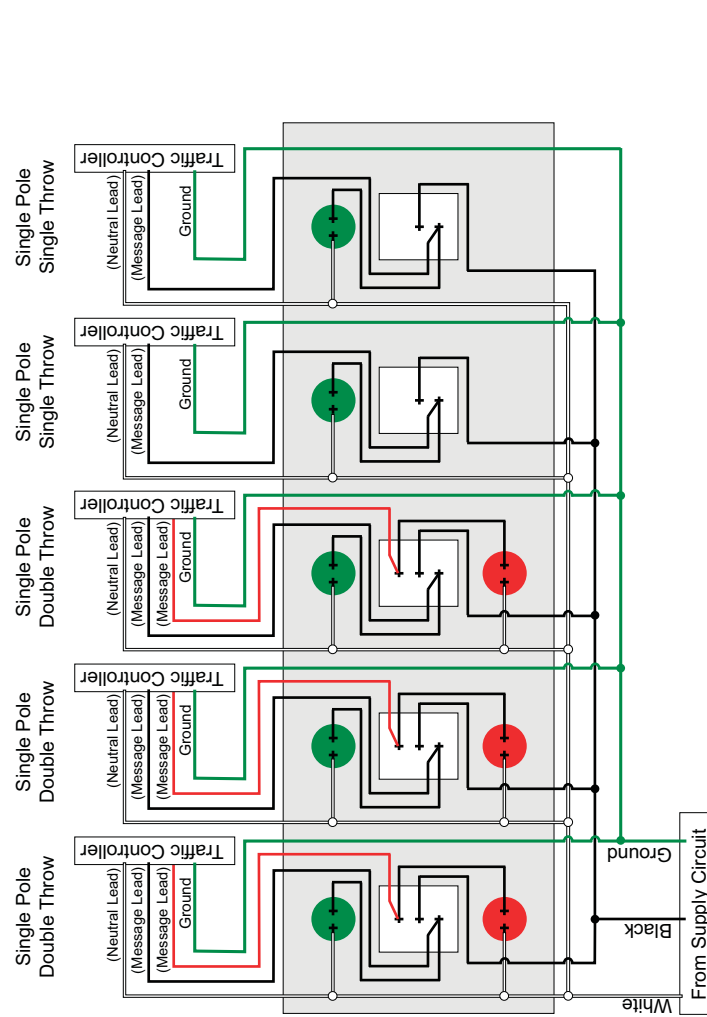
Note: Make appropriate wiring connections per local codes.

Five Gang Switch FVG33322 - 3 Single Pole / Double Throw, 2 On/Off Switches

Front View



Schematic View



PART NUMBER

FVG33322 (Three Single Pole / Double Throw Switches, Two Single Pole / Single Throw Switches)

SWITCHPLATE DIMENSIONS

4.5" H x 10" L

ILLUMINATION SOURCE

Green and Red Indicator Lamps

ELECTRICAL

120 VAC, 0.9 Amps

CONSTRUCTION

Switchplate - Stamped Stainless Steel

FINISH

Switchplate - Brushed Stainless Steel



Note: This sign is intended to be installed in accordance with the requirements of Article 600 of the National Electric Code and / or other applicable local codes. This includes proper grounding and bonding of the sign.



For Supply Connections
Use Wire Rated For
At Least 110° C



Note: Make appropriate wiring connections per local codes.