

PRODUCT ID: 13157

Outdoor Blank-out LED Direct-view Sign

MODEL

TCL77DRR-224H



DIMENSIONS

7" H x 7" W x 5.5" D (est. 5.823 lbs)

CLASS

CLASS: TCL Series

Control Method: Switch (not included) or external relay.

CONSTRUCTION

Cabinet: Corrosion resistant, extruded aluminum frame. 5.5" deep, mitered construction.

Face Material: Injection molded, impact resistant Lexan® hood with Lexan® lenses

Faces: Double Faced Sign

Finish: Duranodic Bronze

Mounting Channel:

ELECTRICAL

Flashing: Included. 6-300 flash rate. Factory setting 55fpm. Can be disabled

Input Voltage: 120-277 VAC

UL/cUL Listed: Listed for wet locations

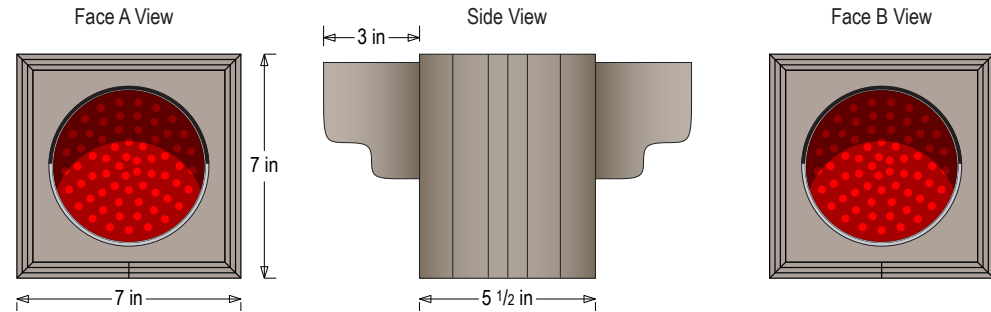
MESSAGE

Illumination: Super bright direct view LEDs. Message blanks out when off.

Sign Messages: See message table below

Product View

NOTE: Sign image may not exactly represent the finished product. For illustration purposes only.



MESSAGE	LED/COLOR	HEIGHT	AMPS
---------	-----------	--------	------

Red Indicator Dot	Red Wide Angle LED	4.0"	0.033-0.014
Red Indicator Dot	Red Wide Angle LED	4.0"	0.033-0.014

NOTE: Above messages are independently controlled.

Signal-Tech

4985 Pittsburgh Ave.

Erie, PA 16509

Phone: (877) 547-9900

Fax: (814) 835-2300

Email: sales@signal-tech.com

Website: www.signal-tech.com



Proudly Made in the USA