

PRODUCT ID: 24194

Outdoor Blank-out LED Direct-view Sign

MODEL

TCL1212DRR-224H

DIMENSIONS

12" H x 12" W x 5.5" D (est. 11.978 lbs)

CLASS

CLASS: TCL Series

Control Method: Switch (not included) or external relay.

CONSTRUCTION

Cabinet: Corrosion resistant, extruded aluminum frame. 5.5" deep, mitered construction.

Face Material: 1/8" thick aluminum hood backed with 1/8" thick, impact resistant, smoke-tinted polycarbonate (5109)

Faces: Double Faced Sign

Finish: Duranodic Bronze

Mounting Channel:

ELECTRICAL

Flashing: Not Included

Input Voltage: 120-277 VAC

UL/cUL Listed: Listed for wet locations

MESSAGE

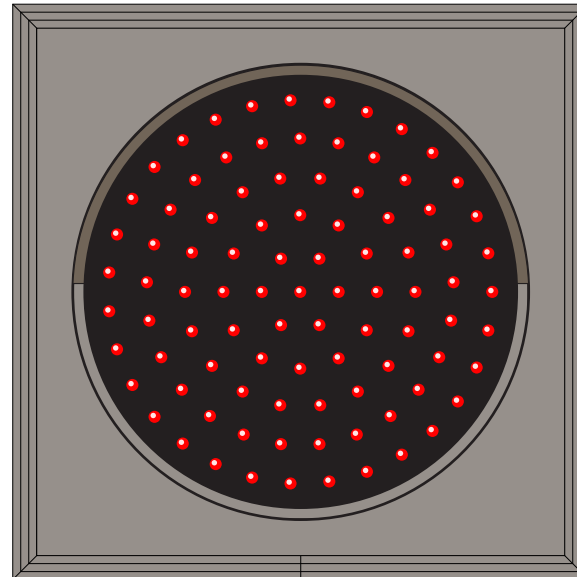
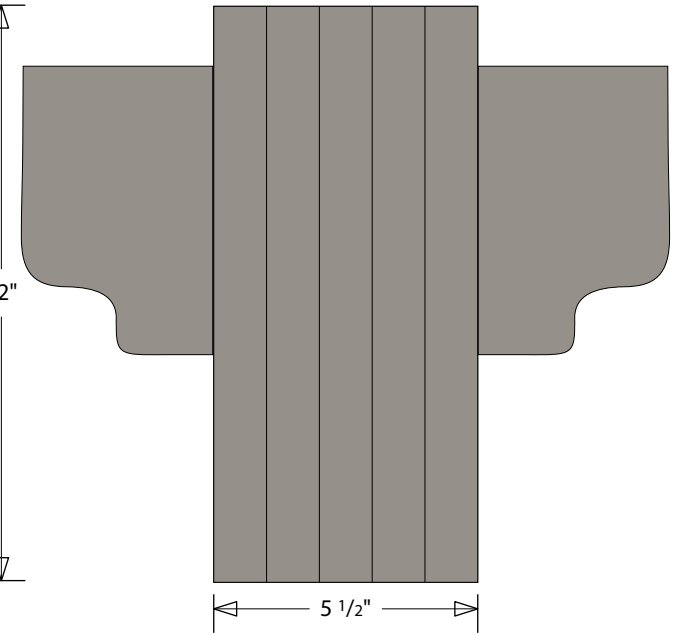
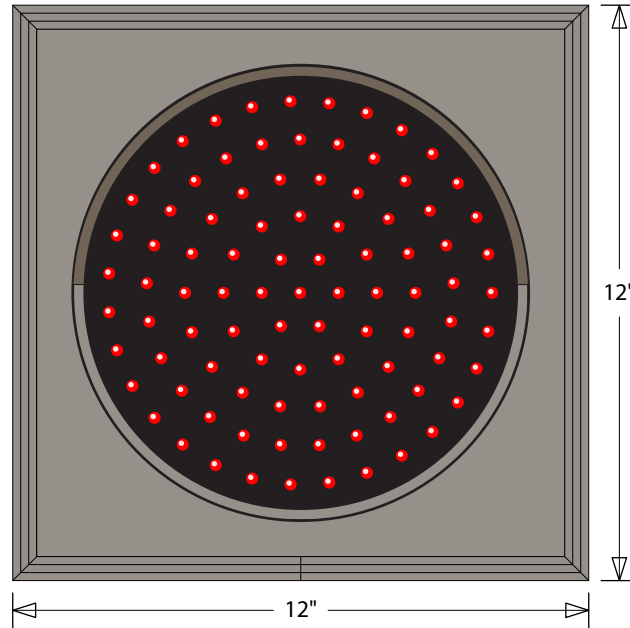
Illumination: Super bright direct view LEDs. Message blanks out when off.

Sign Messages: See message table below



Product View

NOTE: Sign image may not exactly represent the finished product. For illustration purposes only.



MESSAGE	LED/COLOR	HEIGHT	AMPS
Red Indicator Dot	Red Wide Angle	8.0"	0.045-0.020
Red Indicator Dot	Red Wide Angle	8.0"	0.045-0.020

NOTE: Above messages are independently controlled.

Signal-Tech

4985 Pittsburgh Ave.

Erie, PA 16509

Phone: (877) 547-9900

Fax: (814) 835-2300

Email: sales@signal-tech.com

Website: www.signal-tech.com



Proudly Made in the USA