

## PRODUCT ID: 24617

### Side/Sleeve Mount Bracket

#### MODEL

SM8-SF

#### DIMENSIONS

7.75" H x 4" W x 2" D (est. 0.853 lbs)

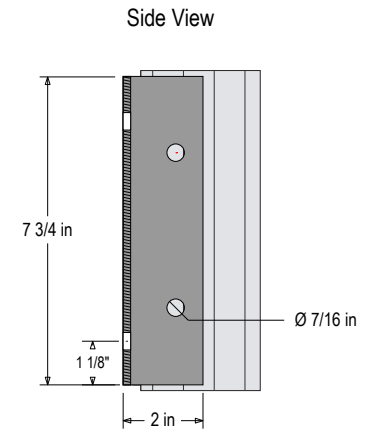
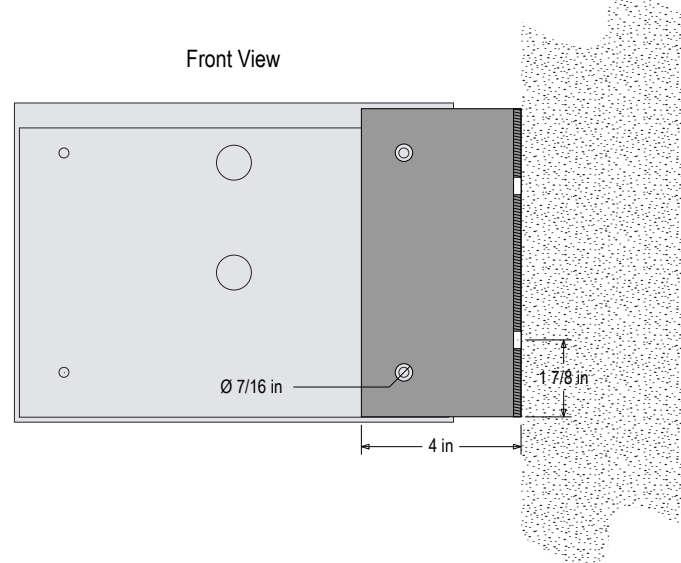
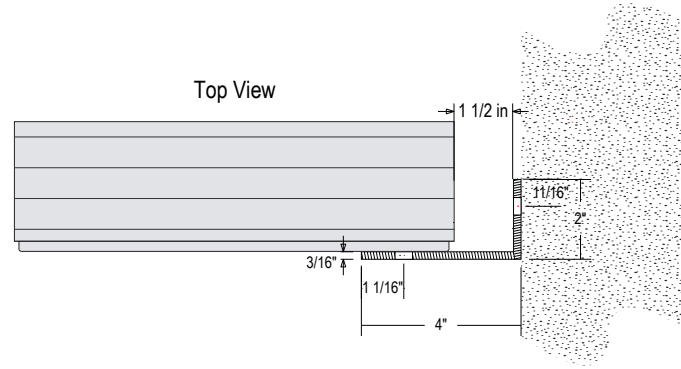
#### CONSTRUCTION

Finish: Duranodic Bronze

Material: 3/16" architectural aluminum angle 6063-T6. Mounting holes pre-drilled.

## Product View

NOTE: Sign image may not exactly represent the finished product. For illustration purposes only.



**Signal-Tech**  
4985 Pittsburgh Ave.  
Erie, PA 16509  
Phone: (877) 547-9900  
Fax: (814) 835-2300  
Email: sales@signal-tech.com  
Website: www.signal-tech.com



Proudly Made in the USA