

# PRODUCT ID: 2888

## Post

### MODEL

P60B

### DIMENSIONS

60" H x 6" W x 6" D (est. 7.118 lbs)

### CONSTRUCTION

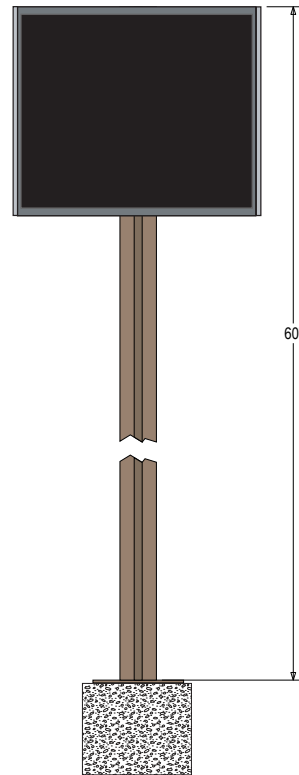
Finish: Duranodic Bronze

Material: 2 1/4" x 3" extruded aluminum post with one sign mounting channel, end cap and 6" sq. welded aluminum base plate. Base plate is 3/16" thick with pre-drilled anchoring holes. Sign mounting hardware and set screw for securing sign to post included.

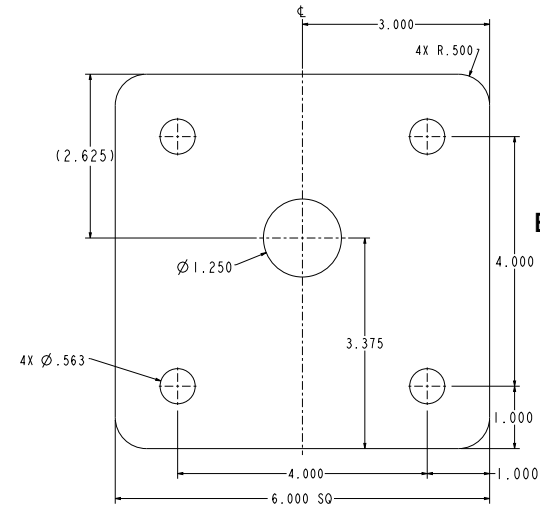
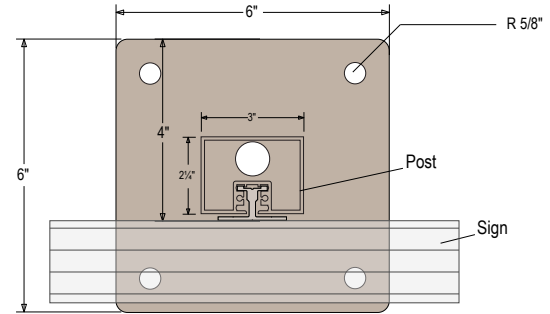
## Product View

NOTE: Sign image may not exactly represent the finished product. For illustration purposes only.

Front View



Top View



Baseplate Detail

Signal-Tech  
4985 Pittsburgh Ave.  
Erie, PA 16509  
Phone: (877) 547-9900  
Fax: (814) 835-2300  
Email: sales@signal-tech.com  
Website: www.signal-tech.com



Proudly Made in the USA