

PRODUCT ID: 47688

Angle Mount Bracket

MODEL

DAM714-30/45

DIMENSIONS

6.75" H x 14" W x 7.304" D (est. 2.524 lbs)

CONSTRUCTION

Finish: Duranodic Bronze

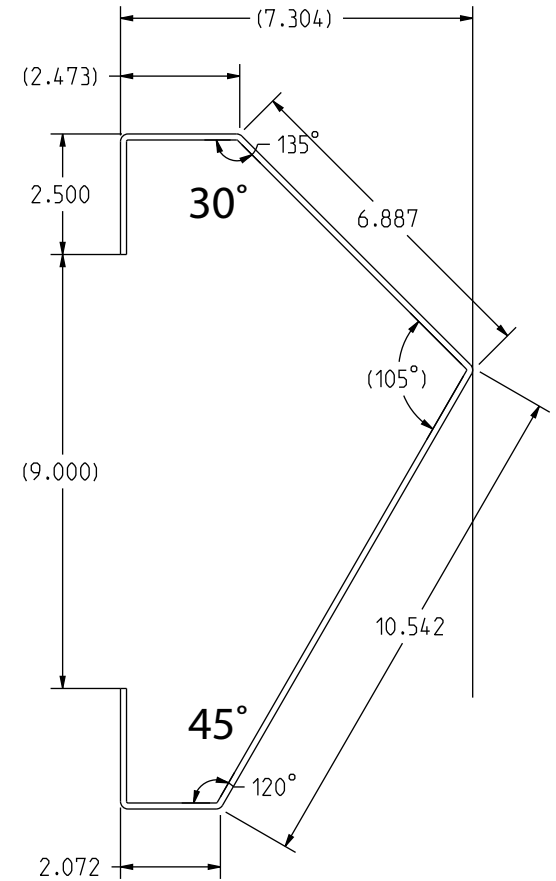
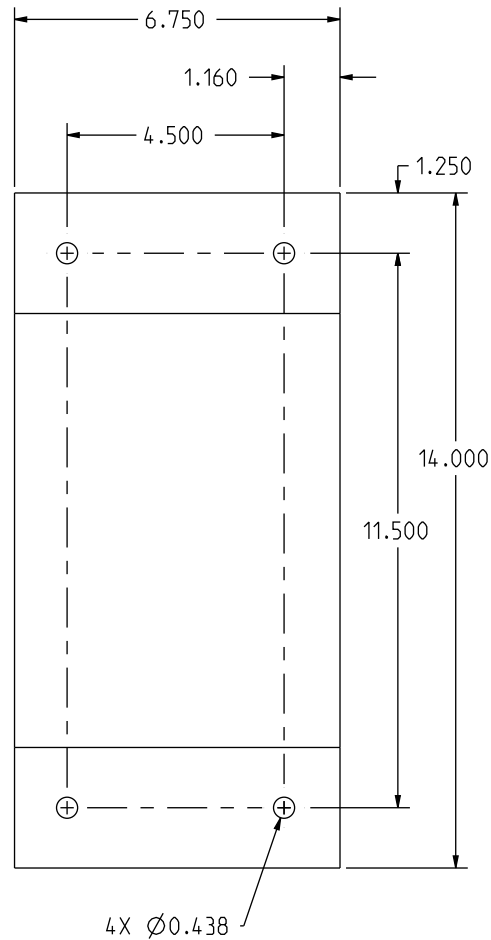
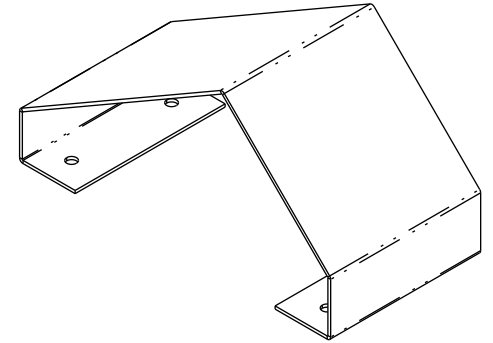
Material: 1/8" thick aluminum; single bracket has both 30° and 45° angles

INSTALLATION

Note: Sign Mounting Angle: 30°/45° dual angle

Product View

NOTE: Sign image may not exactly represent the finished product. For illustration purposes only.



Signal-Tech
4985 Pittsburgh Ave.
Erie, PA 16509
Phone: (877) 547-9900
Fax: (814) 835-2300
Email: sales@signal-tech.com
Website: www.signal-tech.com

Signal-Tech

Proudly Made in the USA