

## PRODUCT ID: 6649

### Switch

#### MODEL

TG332 SPDT/120VAC

#### DIMENSIONS

4.5" H x 6.37" W x 1" D (est. 0.581 lbs)

#### CONSTRUCTION

Finish: Switch plate brushed stainless steel

Switch: Switch with pre-wired pigtailed and indicator lights

Switch plate: Stamped stainless steel pre-punched for switch(es) and indicator light(s)

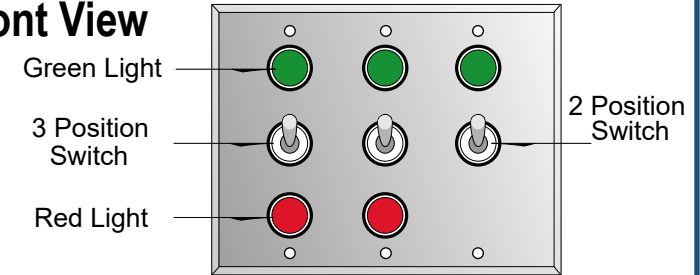
#### ELECTRICAL

Input Voltage: 120VAC

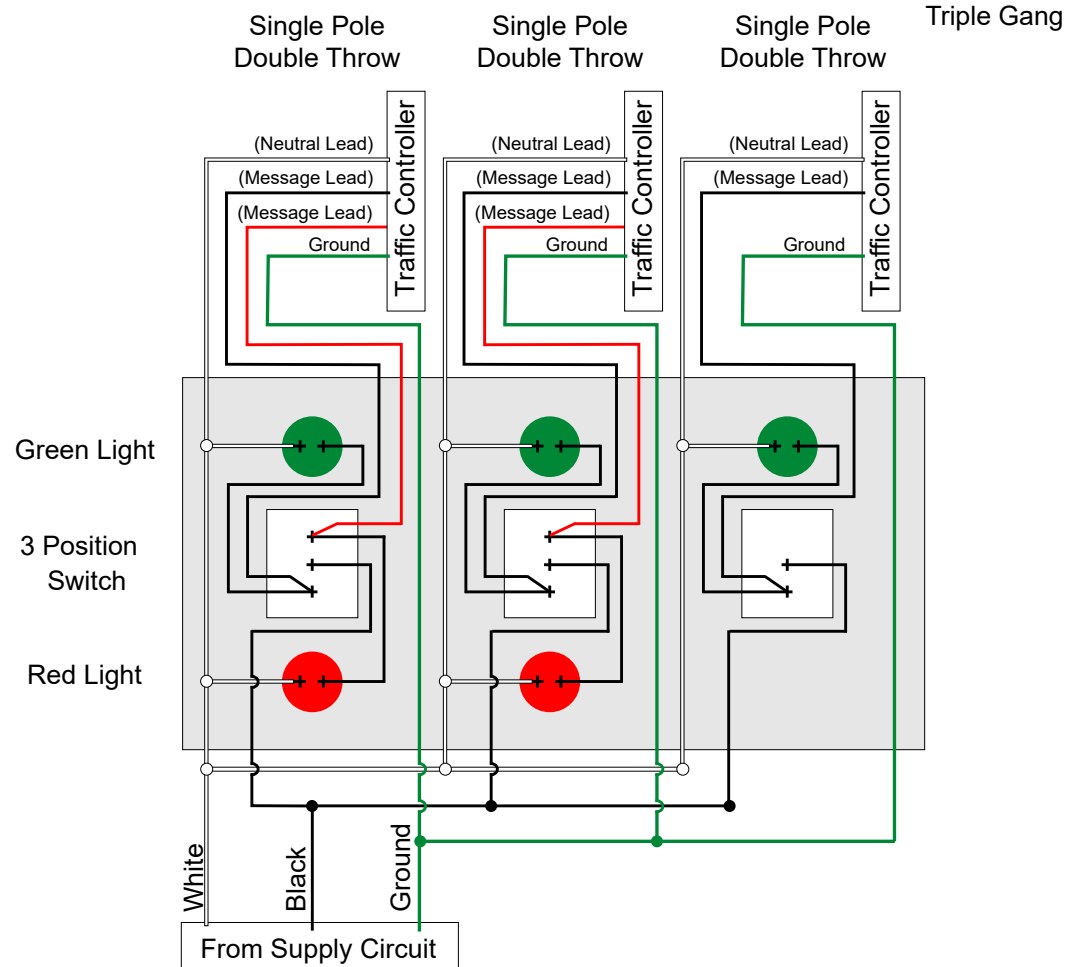
## Product View

NOTE: Sign image may not exactly represent the finished product. For illustration purposes only.

### Front View



## Schematic View



Signal-Tech  
4985 Pittsburgh Ave.  
Erie, PA 16509  
Phone: (877) 547-9900  
Fax: (814) 835-2300  
Email: sales@signal-tech.com  
Website: www.signal-tech.com

**Signal-Tech**

Proudly Made in the USA