

# Standard Lift n' Shift Wall Mount

## INSTALLATION METHOD

Bolts to surface using Lift 'n Shift back mounting plate with appropriate fasteners. (not supplied). Electrical delivered through pre perforated knock-out.

## SYSTEM USES

Included with all standard frame TCL / PHX / BLB signs.

## CONSTRUCTION

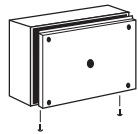
Bent and formed .050 aluminum back plate with perforated knock-outs for mounting holes and electrical conduit.

## FINISH

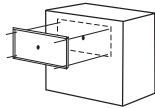
Standard Cabinet Color: Duranodic Bronze  
Custom colors available upon request

## Installation

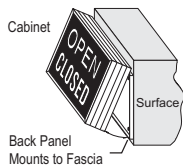
### Standard Wall Mount



1. Remove the back panel of the unit by unscrewing the two retaining screws on the bottom of the unit.



2. Mount the back panel to the appropriate building face with four fasteners. (Not Supplied)



3. • Lift the cabinet on the top edge of the back panel and shift forward, make wire connections, then replace the two retaining screws removed in step one.

**Note:** Make appropriate wiring connections per local codes.

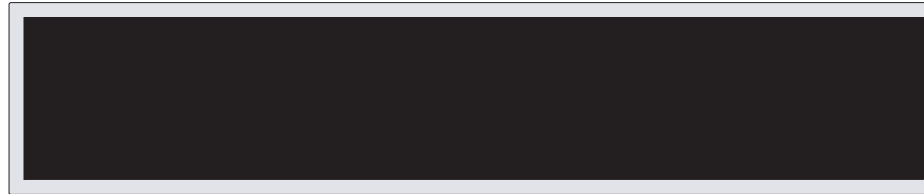


**Note:** This sign is intended to be installed in accordance with the requirements of Article 600 of the National Electric Code and/or other applicable local codes. This includes proper grounding and bonding of the sign.

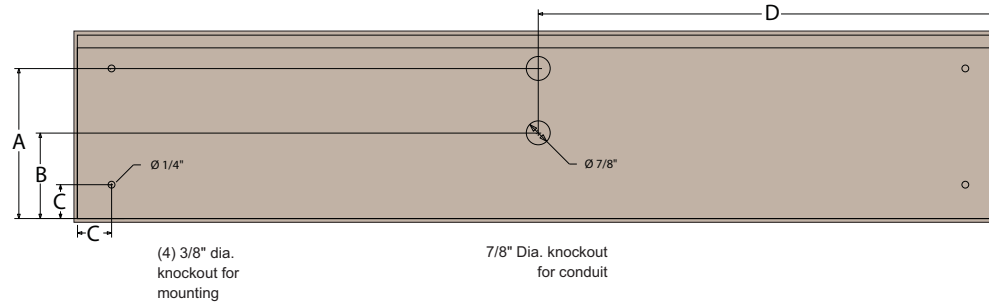
## Product View



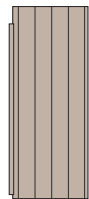
Front View



Back View



Side View



## Wall Mount Mounting Dimensions

Cabinet High x Width (inches)	Dimension A Mounting Hole Vertical	Dimension B Center Knock-out Vertical	Dimension C Mounting Hole Horizontal	Dimension D Center Knock-out Horizontal
7 x 7	5½"	3⅞"	1¼"	3⅞"
7 x 18	5½"	3⅞"	1¼"	8⅞"
7 x 26	5½"	3⅞"	1¼"	12⅞"
7 x 34	5½"	3⅞"	1¼"	16⅞"
7 x 42	5½"	3⅞"	1¼"	20⅞"
10 x 26	10½"	4⅞"	1¼"	12⅞"
12 x 12	12½"	5⅞"	1¼"	5⅞"
14 x 18	14½"	6⅞"	1¼"	8⅞"
14 x 26	14½"	6⅞"	1¼"	12⅞"
14 x 34	14½"	6⅞"	1¼"	16⅞"
14 x 42	14½"	6⅞"	1¼"	20⅞"
18 x 18	18½"	8⅞"	1¼"	8⅞"